

PARTIAL SHORETIE RECEPTACLE LOCATION PLAN
SCALE: N.T.S

LEGEND

- T TRANSFORMER
- M PRIMARY MANHOLE
- UP UNDERGROUND PRIMARY LINE, 15 KV
- X SWITCH, 15 KV, PAD MOUNT
- EUG EXISTING UNDERGROUND ELECTRICAL DUCT BANK, EXISTING HANDHOLE WITH DESIGNATED NUMBER FROM 1 TO 8.

GENERAL NOTES

THE FOLLOWING NOTES ARE APPLIED TO ALL DRAWINGS UNDER THIS PROJECT:

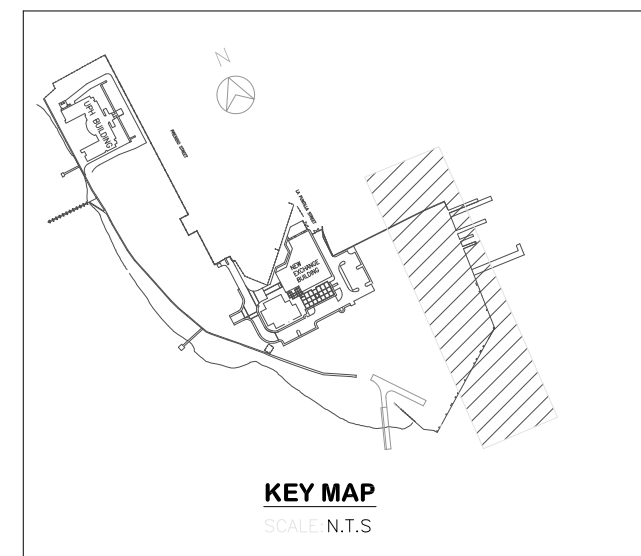
1. NEW WORK ARE INDICATED BY KEYED NOTES ONLY.
2. ALL EXTERIOR CONDUIT SHALL BE PVC SCHEDULE 80 OR RIGID STEEL, PLASTIC COATED 40 MIL THICK AS INDICATED.
3. ELECTRICAL BOXES, WIRE GUTTER SHALL BE NEMA 4X, STAINLESS STEEL, UNLESS OTHERWISE NOTED.
4. NEW TELEPHONE BOX SHALL BE NEMA 4X, NON-METALLIC. REUSE ALL OTHER COMPONENT INSIDE TEL BOX INCLUDING TELEPHONE RECEPTACLES. SEE DRAWING E-11 FOR WIRING DETAILS.
5. EXISTING ELECTRICAL SERVICE TO SHORETIE POWER ARE RUNNING ALONG EXISTING DUCT BANK FROM HH#1 TO HH#8. CONTRACTOR SHALL VERIFY ALL FEEDER PRIOR DEMOLITION OF NOT IN USE CIRCUITS AS INDICATED ON DRAWINGS.
6. TYPICAL HANDHOLE DIMENSION IS 4X4X4'. CONTRACTOR SHALL EXPECT TO PUMP WATER OUT OF HANDHOLE PRIOR TO WORK INSIDE HANDHOLE.
7. CONTRACTOR CAN PERFORM ALL WORK WITHOUT AFFECTING POWER IN ADVANCE; REMAINING WORK THAT REQUIRES POWER SHUT DOWN SHALL BE PERFORMED AFTER ALL MATERIAL ARE ON SITE. CHANGES IN CONSTRUCTION SEQUENCE SHALL BE APPROVED BY CONTRACTING OFFICER IN ADVANCE.
8. CONTRACTOR SHALL VERIFY ALL CIRCUITS PRIOR TO DEMO. CIRCUITS TO REMAIN SHALL BE RECORDED AND RECONNECT AS SHOWN.

ADDITIVE BID

1. ADDITIVE BID #1: SEE DRAWING E-07. PROVIDE NEW LIGHTING CIRCUITS TO 7 LIGHT POLES ALONG PIER AND FEEDER TO PUMP PANEL.

CONSTRUCTION SEQUENCE

1. REMOVE FEEDER TO EXISTING PANEL "E" TO HH#6 (FEEDER IS SPLICED WITH FEEDER OF WELDING SHOP INSIDE HANDHOLE #6, CONTRACTOR SHALL VERIFY PRIOR TO DEMO) AND REFEED FROM ELECTRICAL ROOM INSIDE BLDG 100.
2. COORDINATE POWER SHUTDOWN AND PERFORM ALL WORK REQUIRED AT PIER ECHO NORTH AND SOUTH.
3. COORDINATE POWER SHUTDOWN AND PERFORM ALL WORK REQUIRED AT PIER BRAVO
4. COORDINATE POWER SHUTDOWN AND PERFORM WORK REQUIRED AT PIER ALPHA
5. INSTALL LIGHTING CIRCUITS AS DESCRIBED IN ADDITIVE BID #1.



KEY MAP
SCALE: N.T.S

CONSULTANTS

U. S. COAST GUARD
CIVIL ENGINEERING UNIT
MIAMI



USCG. CEU MIAMI
15608 SW 117TH AVE
MIAMI, FL 33177

ISSUE		
DT	27APR07	FINAL SUBMITTAL
DT	8MAR07	95% REVIEW
MARK	DATE	DESCRIPTION

A/E PROJECT NO:	
CAD FILE NAME: M1314E01.DWG	
DESIGNED BY:	DT
DRAWN BY:	DT
EDITED BY:	DT
CHECKED BY:	DT

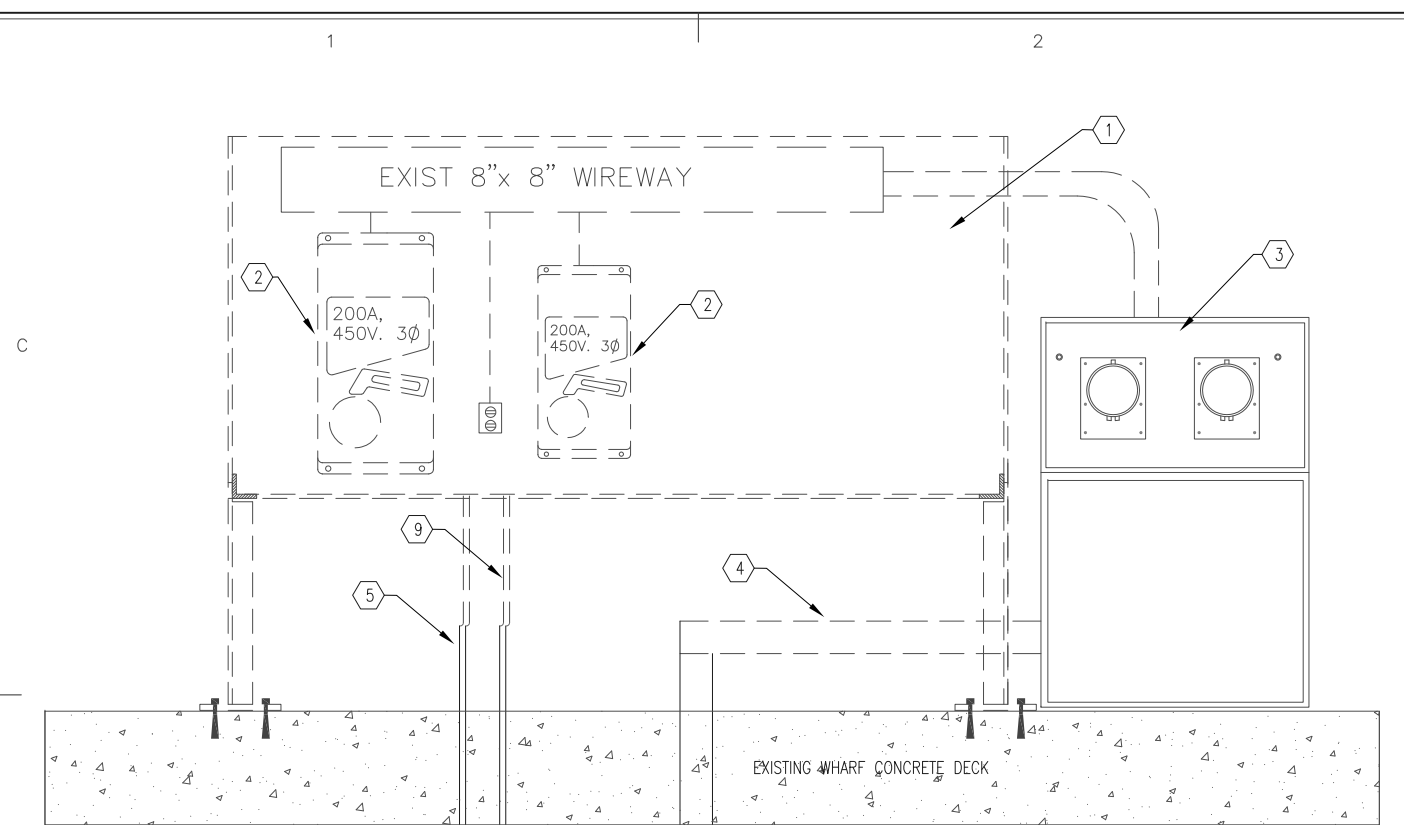
SCALE: AS SHOWN PLOT SCALE: 1:1

SHEET TITLE
ELECTRICAL SHORETIES UPGRADE
U.S.C.G. BASE SAN JUAN
SAN JUAN PUERTO RICO
SHORETIE POWER LOCATION
ELECTRICAL
SITE PLAN

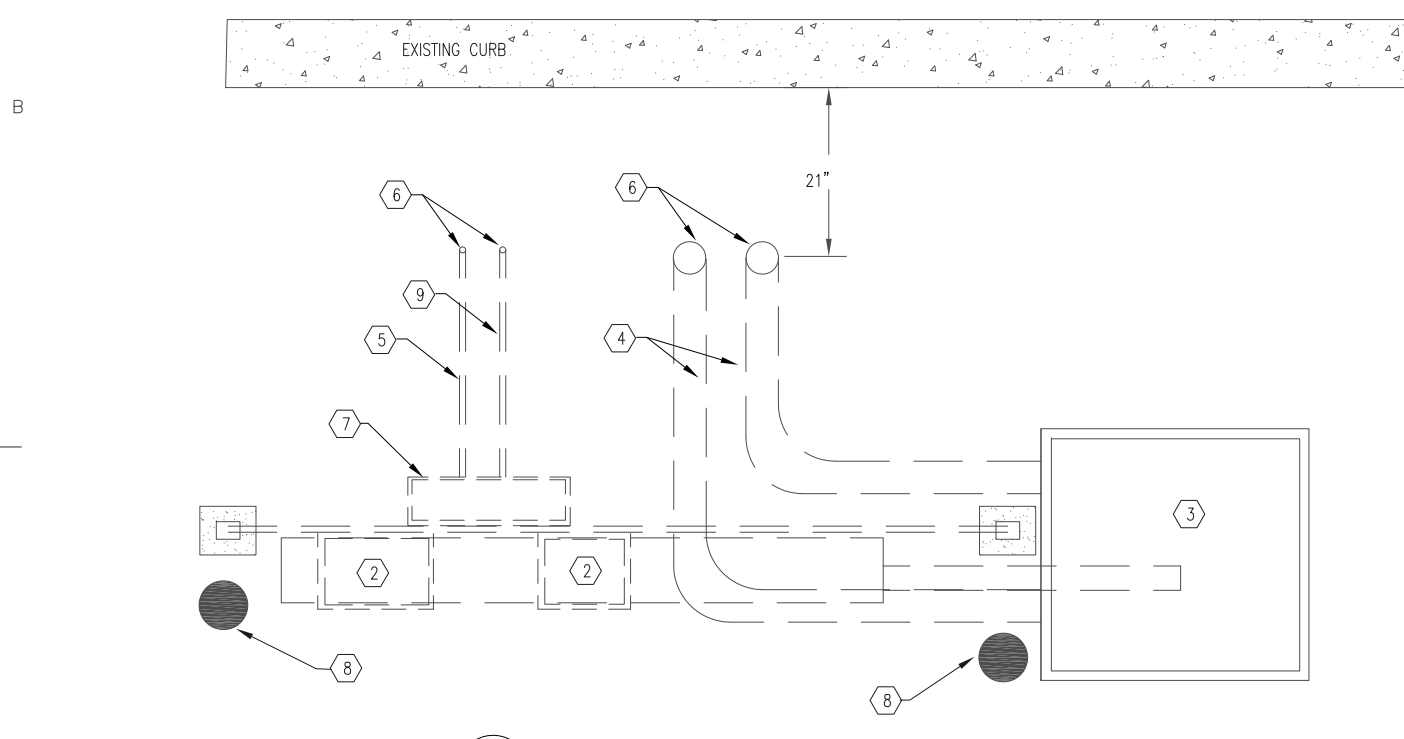
REVIEWED BY:	REVIEWED BY:	REVIEWED BY:
PROJECT ENG.	BRANCH CHIEF	TECH. DIRECTOR

APPROVING OFFICER	DATE
-------------------	------

PROJECT NUMBER	DRAWING NUMBER
272861	M1314D
DISCIPLINE/SHT NO	SHEET 1 OF 12
E-01	



ELEVATION



PLAN

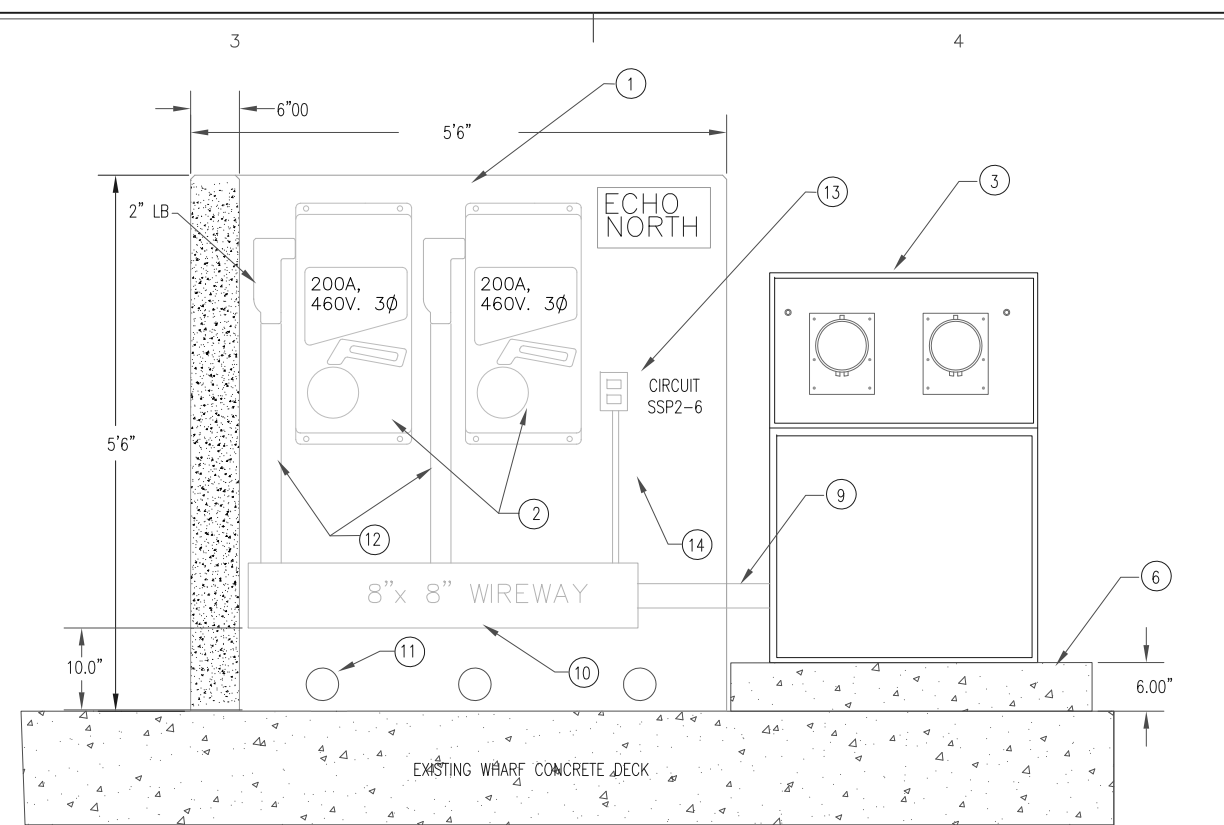


DEMO- PIER ECHO NORTH

SCALE: 1" = 1'-0"

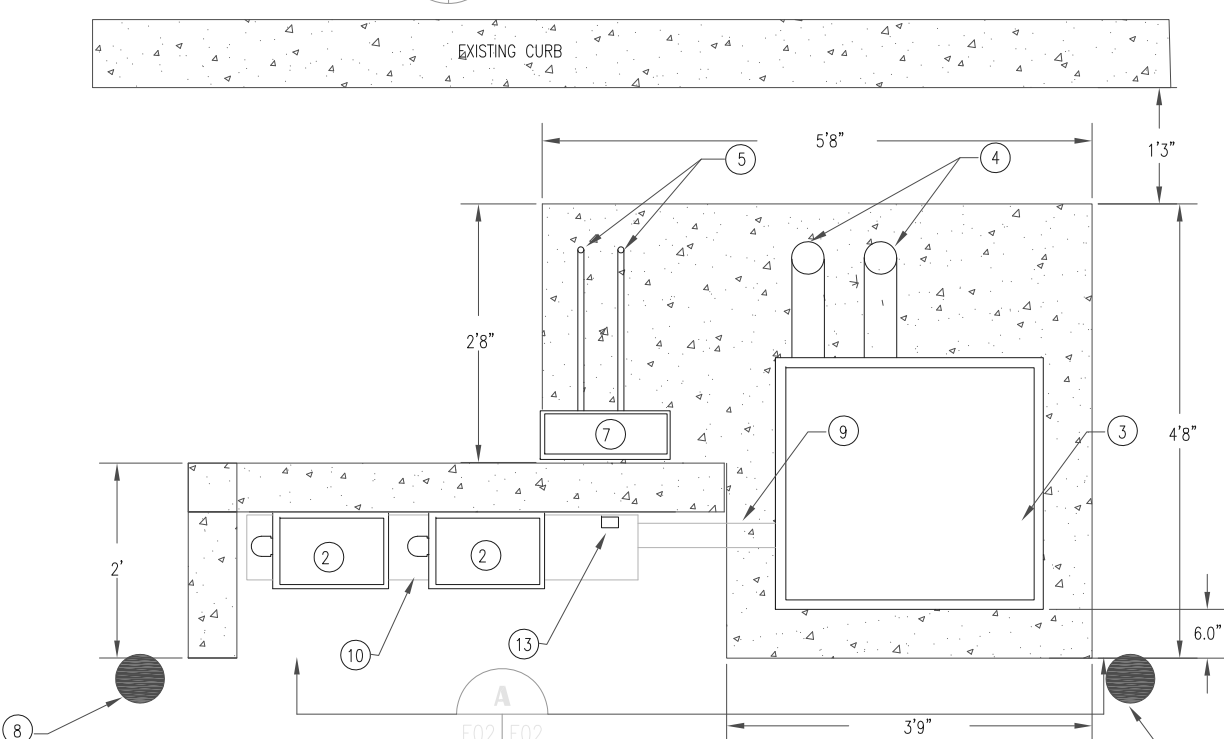
DEMO KEYED NOTES

- 1 EXISTING MOUNTING FRAME 70"x96" TO BE REMOVED. REMOVE WIRE GUTTER, RECEPTACLE ON THE FRAME
- 2 REMOVE AND REPLACE 200 AMP SHORE TIE RECEPTACLE
- 3 EXISTING 400 AMP SHORE TIE RECEPTACLE AND ENCLOSURE TO BE RELOCATED.
- 4 PARALLEL FEEDER, 4 #500MCM (NEUTRAL IS NOT CONNECTED), #1G, 8 #12 (4 IN USE ONLY) IN 4". RECORD EXISTING WIRING AND RECONNECT AS EXISTING. SEE KEY NOTES #6 TO REPAIR CONDUIT.
- 5 1" COMMUNICATION CONDUIT. SEE KEY NOTE #6 TO REPAIR CONDUIT. REUSE AND RECONNECT 25 PAIR TEL CABLES.
- 6 CUT EXISTING CONDUIT BACK TO LB, REPAIR EXISTING CONDUIT AND EXTEND CONDUIT ABOVE NEW PAD. ROUTE NEW CONDUIT TO EQUIPMENT. REUSE EXISTING CONDUCTORS /PHONE LINES
- 7 COMMUNICATION BOX 16X20X6"D TO BE REMOVED AND REPLACED.
- 8 REMOVE BOLLARD AND REPAIR DECK.
- 9 1" COMMUNICATION CONDUIT. SEE KEY NOTE #6 TO REPAIR CONDUIT. REUSE AND RECONNECT COAXIAL CABLE.



NEW- ELEVATION

E02 E02 SCALE: 1" = 1'-0"



PLAN



NEW- PIER ECHO NORTH

SCALE: 1" = 1'-0"

NEW PLAN KEYED NOTES

- 1 NEW CONCRETE SHORE TIE SUPPORT. SEE DETAILS ON E-10.
- 2 NEW 200 AMP SHORE TIE RECEPTACLE
- 3 EXISTING RELOCATED 400 AMP SHORE TIE RECEPTACLE. PATCH ALL HOLES ON ENCLOSURE
- 4 PARALLEL FEEDER, 4 #500MCM (NEUTRAL IS NOT CONNECTED), #1G, 8 #12 (4 IN USE ONLY) IN 4". RECONNECT CONTROL WIRING AS EXISTING. SEE RISER DIAGRAM ON E-04.
- 5 NEW 1" COMMUNICATION CONDUITS. REWIRE AS EXISTING.
- 6 NEW 6" SLAB. SEE DETAIL #2 ON E-10.
- 7 NEW 20X20X6"D NEMA 4X NON METALLIC TEL BOX. SEE DETAILS ON E-11. REWIRE TO MATCH EXISTING.
- 8 NEW 6" BOLLARD SEE DETAIL #3 ON E-10.
- 9 6# 3/0 AND 2 #1G, 2 #10 & #10G IN 3".
- 10 NEW NEMA 4X, 8"x8"x48"L WIREWAY.
- 11 4" PVC SLEEVE THROUGH WALL (3 EA).
- 12 3# 3/0 AND #1G IN 2".
- 13 15 AMP, 120VOLT, GFCI RECEPTACLE IN WEATHER PROOF BOX.
- 14 2# 10 AND #10G IN 3/4".

CONSULTANTS

U. S. COAST GUARD
CIVIL ENGINEERING UNIT
MIAMI



USCG. CEU MIAMI
15608 SW 117TH AVE
MIAMI, FL 33177

ISSUE		
DT	DATE	DESCRIPTION
DT	27APR07	FINAL SUBMITTAL
DT	8MAR07	95% REVIEW
MARK		

A/E PROJECT NO:		
CAD FILE NAME: M1314E02.DWG		
DESIGNED BY: DT		
DRAWN BY: DT		
EDITED BY: DT		
CHECKED BY: DT		

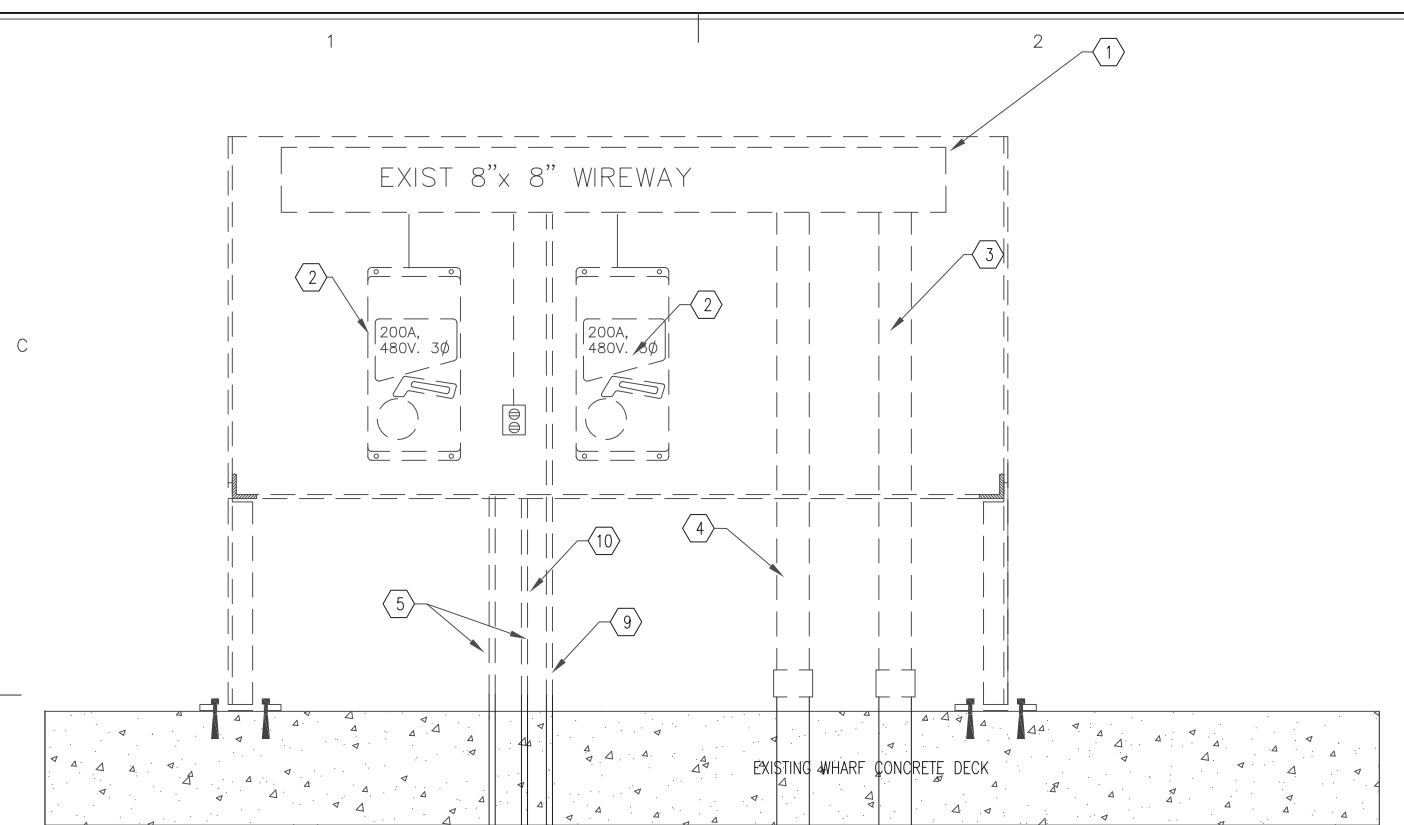
SCALE: AS SHOWN PLOT SCALE: 1:1

SHEET TITLE

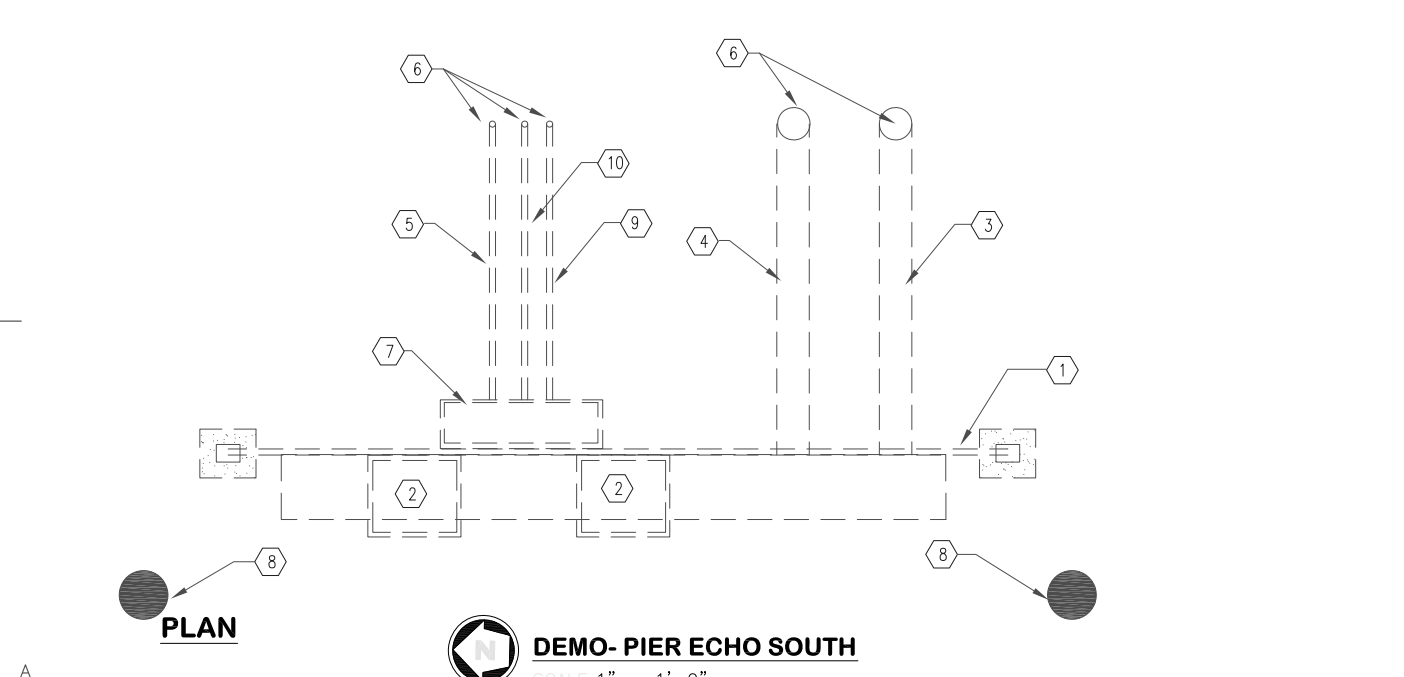
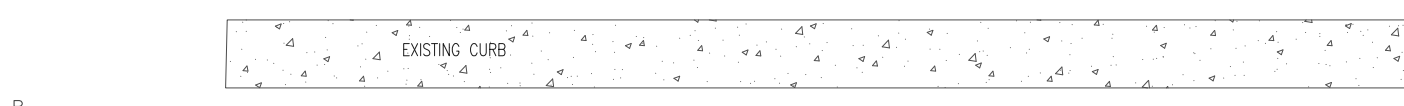
ELECTRICAL SHORETIES UPGRADE
U.S.C.G. BASE SAN JUAN
SAN JUAN PUERTO RICO
PIER ECHO
ELECTRICAL
NORTH PIER DEMO/NEW PLAN

REVIEWED BY:	REVIEWED BY:	REVIEWED BY:
PROJECT ENG.	BRANCH CHIEF	TECH. DIRECTOR
APPROVING OFFICER		DATE

PROJECT NUMBER	DRAWING NUMBER
272861	M1314D
DISCIPLINE/SHT NO	SHEET 2 OF 12
E-02	



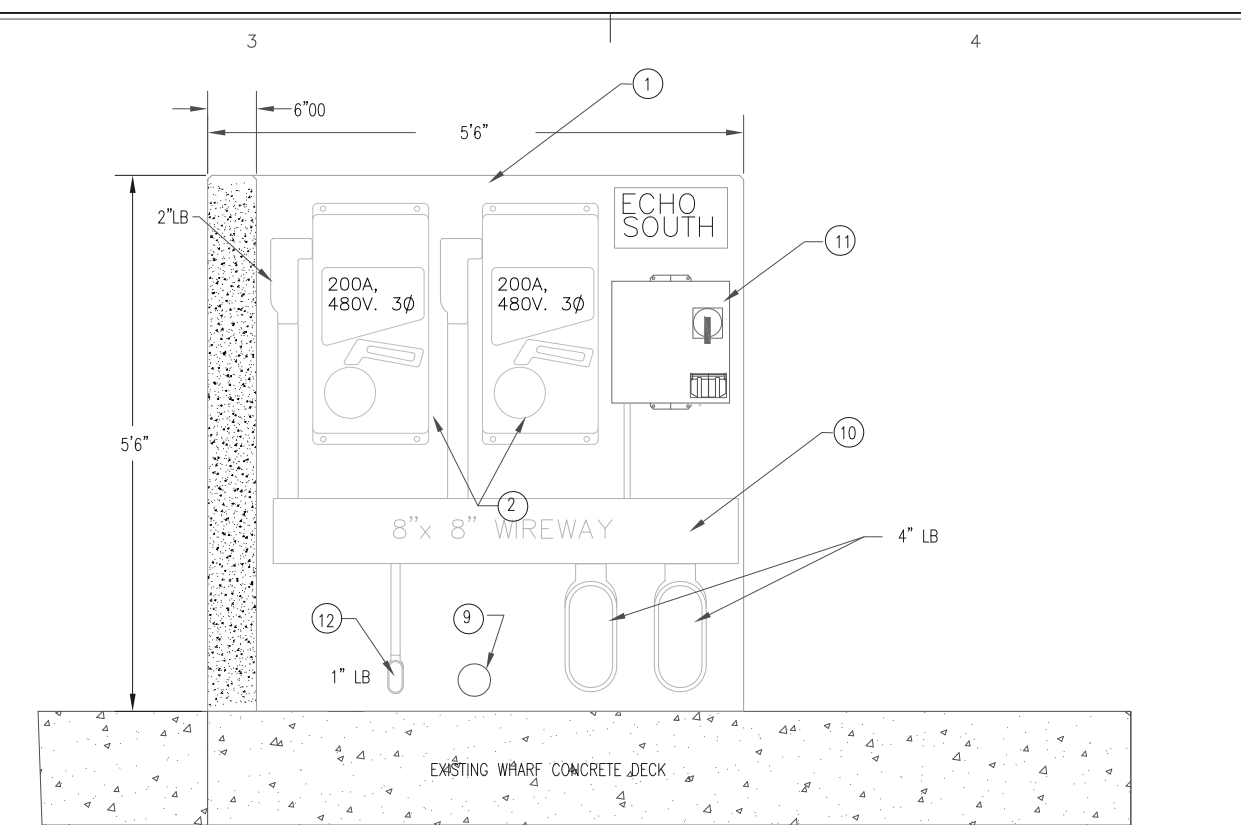
WEST ELEVATION



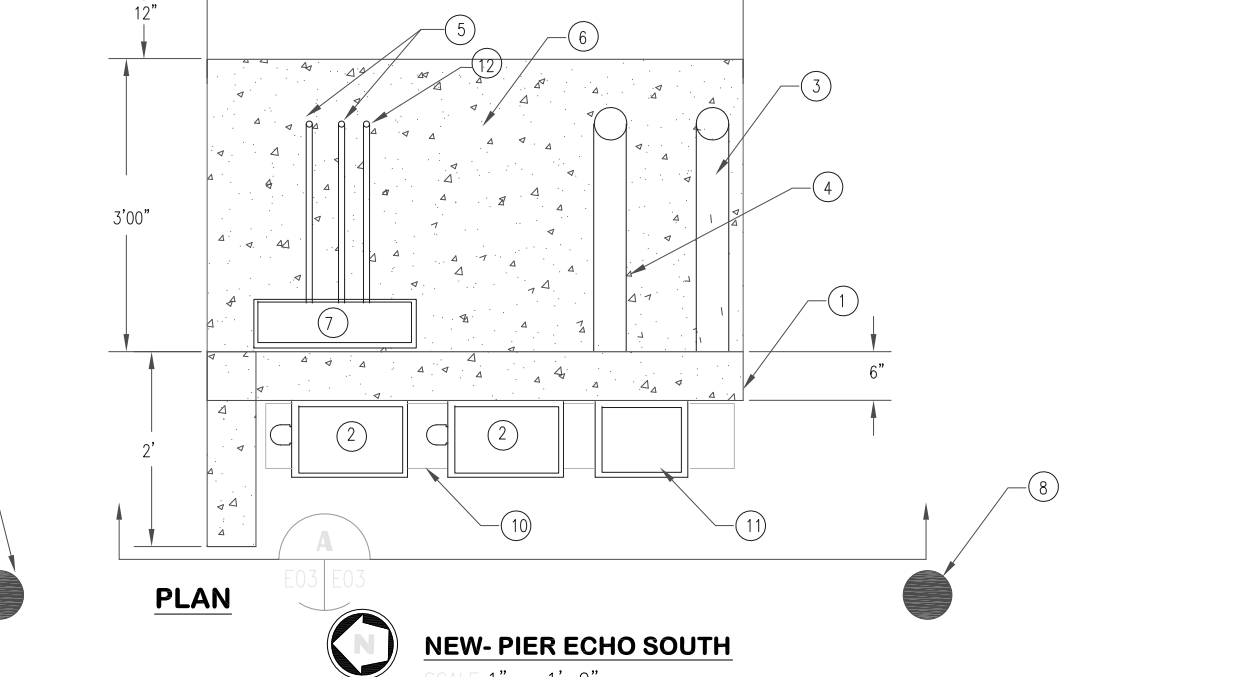
PLAN
DEMO-PIER ECHO SOUTH
 SCALE: 1" = 1'-0"

DEMO KEYED NOTES

- 1 EXISTING MOUNTING FRAME 70"x96" TO BE REMOVED. REMOVE WIRE GUTTER, RECEPTACLE ON THE FRAME
- 2 REMOVE AND REPLACE 200 AMP SHORE TIE RECEPTACLE
- 3 4" SPARE WITH #4 /0 BARE COPPER. SEE KEY NOTES #6
- 4 3 # 3/0 & #1G IN 4"C. RECORD EXISTING WIRING AND RECONNECT AS EXISTING. SEE KEY NOTES #6 TO REPAIR CONDUITS.
- 5 1" COMMUNICATION CONDUIT. REMOVE CONDUITS, SEE KEY NOTES #6. REUSE 4 PAIR TEL CABLE AND COAXIAL CABLE.
- 6 CUT EXISTING CONDUIT BACK TO LB, REPAIR EXISTING CONDUIT AND EXTEND CONDUIT ABOVE NEW PAD. ROUTE NEW CONDUIT TO EQUIPMENT. REUSE EXISTING CONDUCTORS AND PHONE LINES
- 7 COMMUNICATION BOX 16X20X6"D TO BE REMOVED AND REPLACED. (BOX ONLY)
- 8 EXISTING BOLLARD TO BE REPLACED.
- 9 1"C SPARE. SEE KEY NOTE #6 TO REPAIR
- 10 1" COMMUNICATION CONDUIT. REMOVE CONDUITS, SEE KEY NOTES #6. REUSE 25 PAIR TEL CABLE.



NEW-ELEVATION
 E03 E03 SCALE: 1" = 1'-0"



PLAN
NEW-PIER ECHO SOUTH
 SCALE: 1" = 1'-0"

NEW PLAN KEYED NOTES

- 1 NEW CONCRETE SHORE TIE SUPPORT. SEE DETAILS ON E-10.
- 2 NEW 200 AMP SHORE TIE RECEPTACLE
- 3 #4/0 G BARE IN 4" SPARE CONDUIT.
- 4 EXISTING 3 #3/0 WITH #1G IN NEW 4"C. SEE RISER DIAGRAM ON E-04.
- 5 NEW 1" COMMUNICATION CONDUIT. REPAIR AND EXTEND TO NEW BOX. PULL EXISTING WIRES TO NEW BOX.
- 6 NEW 6" SLAB. SEE DETAIL #2 ON E-10.
- 7 NEW 20X20X6"D NEMA 4X NON-METALLIC TEL. BOX. REWIRE TO MATCH EXISTING. SEE DETAIL ON E-11
- 8 NEW BOLLARD.
- 9 4" PVC SLEEVE THROUGH WALL.
- 10 NEW NEMA 4X, 8"x8"x54"L WIREWAY.
- 11 NEMA 4X ENCLOSURE, 14X14X12"DEEP WITH 1KVA TRANSFORMER, 480-120 VOLT. SEE DETAIL A ON E-04.
- 12 1" SPARE POWER CONDUIT.

CONSULTANTS

U. S. COAST GUARD
 CIVIL ENGINEERING UNIT
 MIAMI



USCG. CEU MIAMI
 15608 SW 117TH AVE
 MIAMI, FL 33177

ISSUE		
DT	DATE	DESCRIPTION
DT	27APR07	FINAL SUBMITTAL
DT	08MAR07	95% REVIEW
MARK		

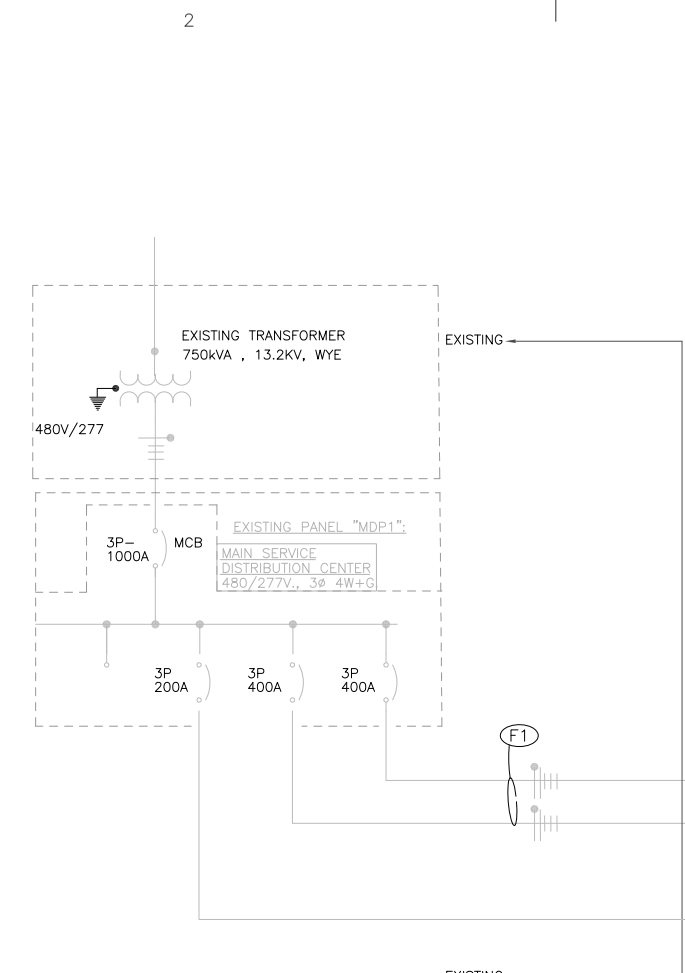
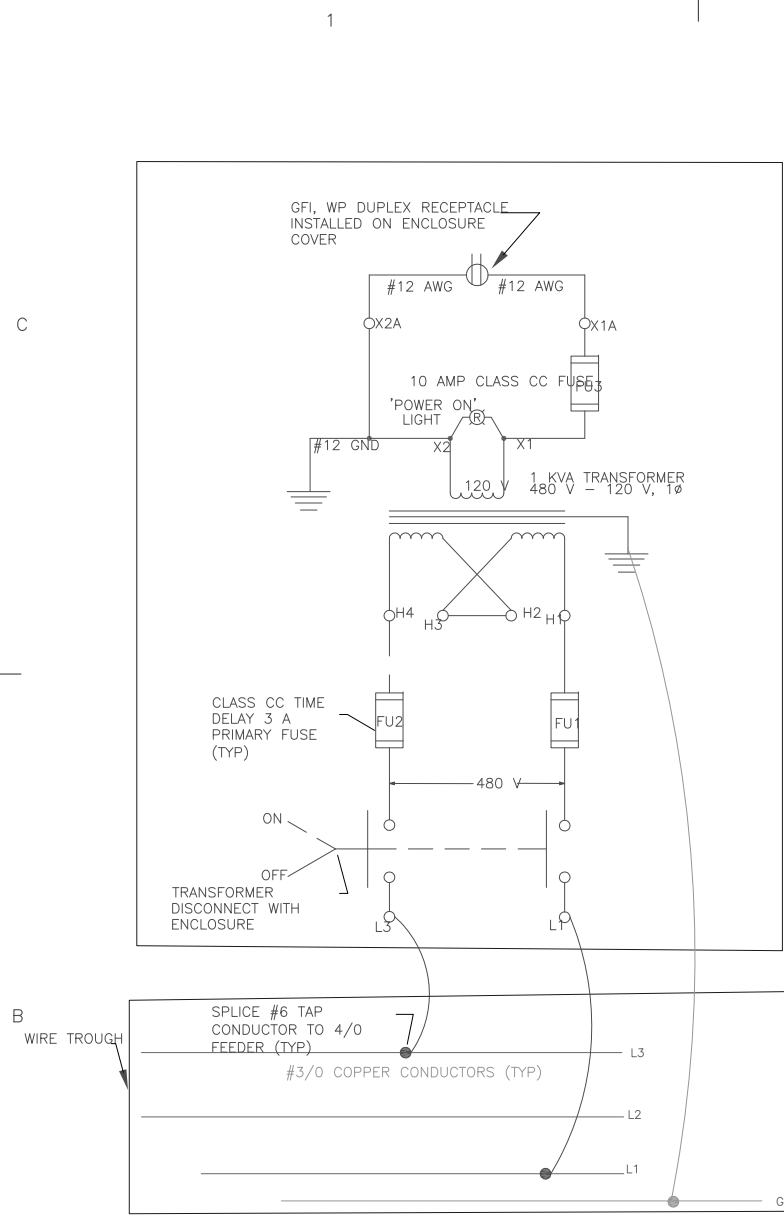
A/E PROJECT NO:		
CAD FILE NAME: M1314E03.DWG		
DESIGNED BY: DT		
DRAWN BY: DT		
EDITED BY: DT		
CHECKED BY: DT		

SCALE: AS SHOWN PLOT SCALE: 1:1

SHEET TITLE
 ELECTRICAL SHORETIES UPGRADE
 U.S.C.G. BASE SAN JUAN
 SAN JUAN PUERTO RICO
 PIER ECHO
 ELECTRICAL
 SOUTH PIER DEMO/NEW PLAN

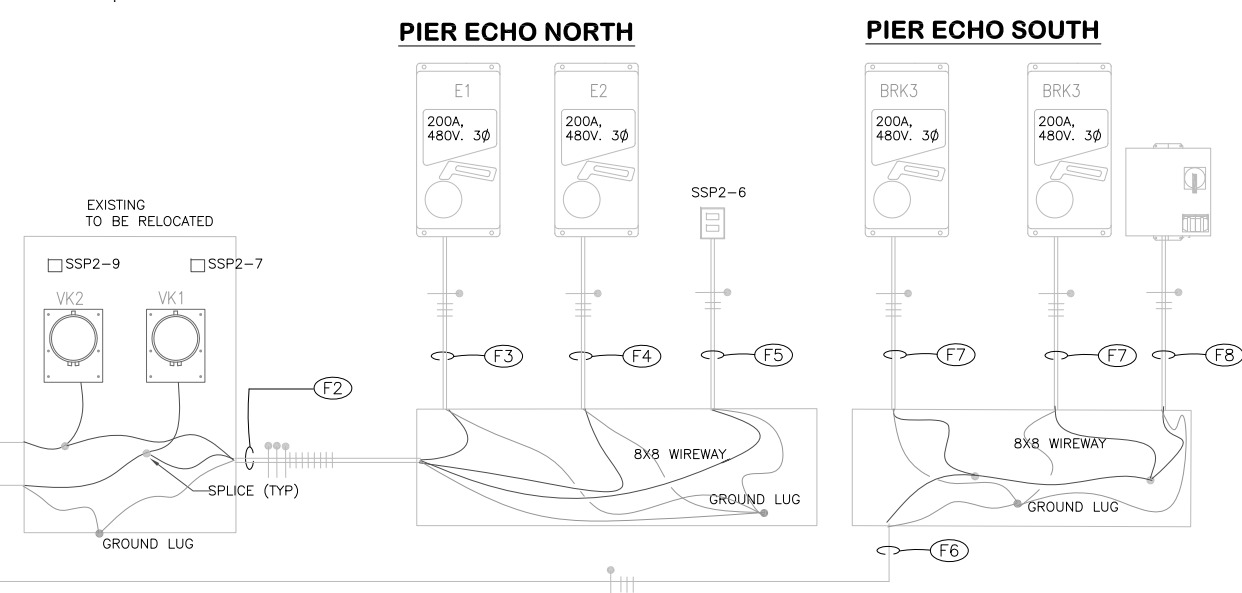
REVIEWED BY:	REVIEWED BY:	REVIEWED BY:
PROJECT ENG.	BRANCH CHIEF	TECH. DIRECTOR
APPROVING OFFICER	DATE	

PROJECT NUMBER	DRAWING NUMBER
272861	M1314D
DISCIPLINE/SHT NO	SHEET 3 OF 12
E-03	



GENERAL NOTES

1. NEW CONDUIT SHALL BE PVC SCHEDULE 80,UON.
2. ALL ELECTRICAL ENCLOSURE SHALL BE GROUNDED.
3. NEW 200 AMP RECEPTACLES SHALL BE RUSSELLSTOLL MAX GUARD INTERLOCKED RECEPTACLE WITH CIRCUIT BREAKER, 200 AMP, 480VAC, 3P4W, 2" CONDUIT ENTRANCE ON LEFT SIDE. RUSSELLSTOLL CAT. No. DBRS240420000 RECEPTACLE WITH MATCHING PLUG CAT. No. DS2404MP000.



PIER ECHO NORTH AND SOUTH ELECTRICAL RISER DIAGRAM

SCALE:N.T.S

FEEDER SCHEDULE

TYPE	DESCRIPTION	WIRE	CONDUIT	NOTE
F1	EXISTING FEEDER TO ECHO NORTH PIER SHORE TIE RECEPTACLES. PARALLEL FEEDER. REUSE EXISTING CONDUCTORS. NEUTRAL CONDUCTORS ARE NOT CONNECTED. REPAIR CONDUITS AT SHORETIE SUPPORT. EXISTING 120 VOLT CIRCUITS #6,7,9 FROM PANEL SSP2 SHALL BE RECONNECTED AS SHOWN.	4 #500MCM & #1G., 8 #12. (EXISTING)	2-4" PVC SCHEDULE 80.	EXISTING. RECORD CONTROL WIRING AND RECONNECT AS EXISTING. CONTROL WIRES ARE NOT SHOWN. SHUNT TRIP CIRCUITS FROM PANEL SSP2, CIRCUIT #7 & 9
F2	NEW FEEDER TO SHORE TIE E1/E2.	6# 3/ 0 & 2#1 G. & 2#10 #10G	3" PVC SCHEDULE 80	NEW. SPLICE CONDUCTORS INSIDE VIKING SHORE TIE ENCLOSURE TO FEED E1 AND E2.
F3	NEW FEEDER TO SHORE TIE E1	3# 3/ 0 & #1 G.	2" PVC SCHEDULE 80	NEW. SPLICE TO VK#2 CIRCUIT AND EXTEND FROM VIKING ENCLOSURE TO RECEPTACLE.
F4	NEW FEEDER TO SHORE TIE E2	3# 3/ 0 & #1 G.	2" PVC SCHEDULE 80	NEW. SPLICE TO VK#1 CIRCUIT AND EXTEND FROM VIKING ENCLOSURE TO RECEPTACLE.
F5	NEW FEEDER TO 120 VOLT GFCI RECEPTACLE WITH WP BOX.	2# 10 & #10G	3/ 4" PVC SCHEDULE 80	NEW. SPLICE TO EXISTING CIRCUIT #6 INSIDE VIKING ENCLOSURE AND EXTEND TO RECEPTACLE.
F6	EXISTING FEEDER TO ECHO SOUTH PIER SHORE TIE RECEPTACLES. REUSE EXISTING CONDUCTORS. REPAIR CONDUIT AT SHORETIE SUPPORT. EXISTING FEEDER IS 350MCM FROM PANEL TO HH#7, FROM HH#7 TO RECEPTACLE IS #3/0.	#500MCM TO HH #7, CABLES DOWN SIZE TO 3 #3/ 0 & #1G.	4" C. AND 4" SPARE	EXISTING.
F7	NEW FEEDER TO SHORE TIE BRK1. SPLICE INSIDE WIRE GUTTER.	3# 3/ 0 & #1 G.	2" PVC SCHEDULE 80.	NEW. SPLICE INSIDE NEW WIRE GUTTER.
F8	NEW FEEDER TO STEPDOWN TRANSFORMER.	2# 6 & #10G	3/ 4" PVC SCHEDULE 80	NEW. SPLICE INSIDE NEW WIRE GUTTER.

EXISTING PANELBOARD SSP SCHEDULE

1000 A. MAIN, 277/480- V., 3 PHASE, 4 WIRE, 35 KAIC MINIMUM, SURFACE MOUNT, NEMA 4X

LOAD SERVED	LOAD (AMPS)		BKR. TRIP	WIRE SIZE	CKT. NO.	PHASE		CKT. NO.	WIRE SIZE	BKR. TRIP	LOAD (AMPS)		LOAD SERVED
	A	B				A	B				A	B	
VK1 SHORE TIE/E1 SHORE TIE ECHO NORTH	*	*	400	500	1			4	500	400	*	*	VK2 SHORE TIE/E2 ECHO NORTH
BRK3 SHORE TIE ECHO SOUTH	*	*	200	350	7			10	10	30	*	*	15 KVA STEP DOWN TRANSFORMER FEED PANEL SSP2
BLANK	*	*			13			14	12	20	*	*	BLANK
BLANK	*	*	30	10	15			16	12	20	*	*	BLANK
BLANK	*	*			17			18	12	20	*	*	BLANK
BLANK	*	*			19			20	12	20	*	*	BLANK
TOTAL	*	*									*	*	TOTAL

TOTAL CONNECTED AMPS A: B:

CONSULTANTS

U. S. COAST GUARD
 CIVIL ENGINEERING UNIT
 MIAMI



USCG. CEU MIAMI
 15608 SW 117TH AVE
 MIAMI, FL 33177

ISSUE		
DT	27APR07	FINAL SUBMITTAL
DT	08MAR07	95% REVIEW
MARK	DATE	DESCRIPTION

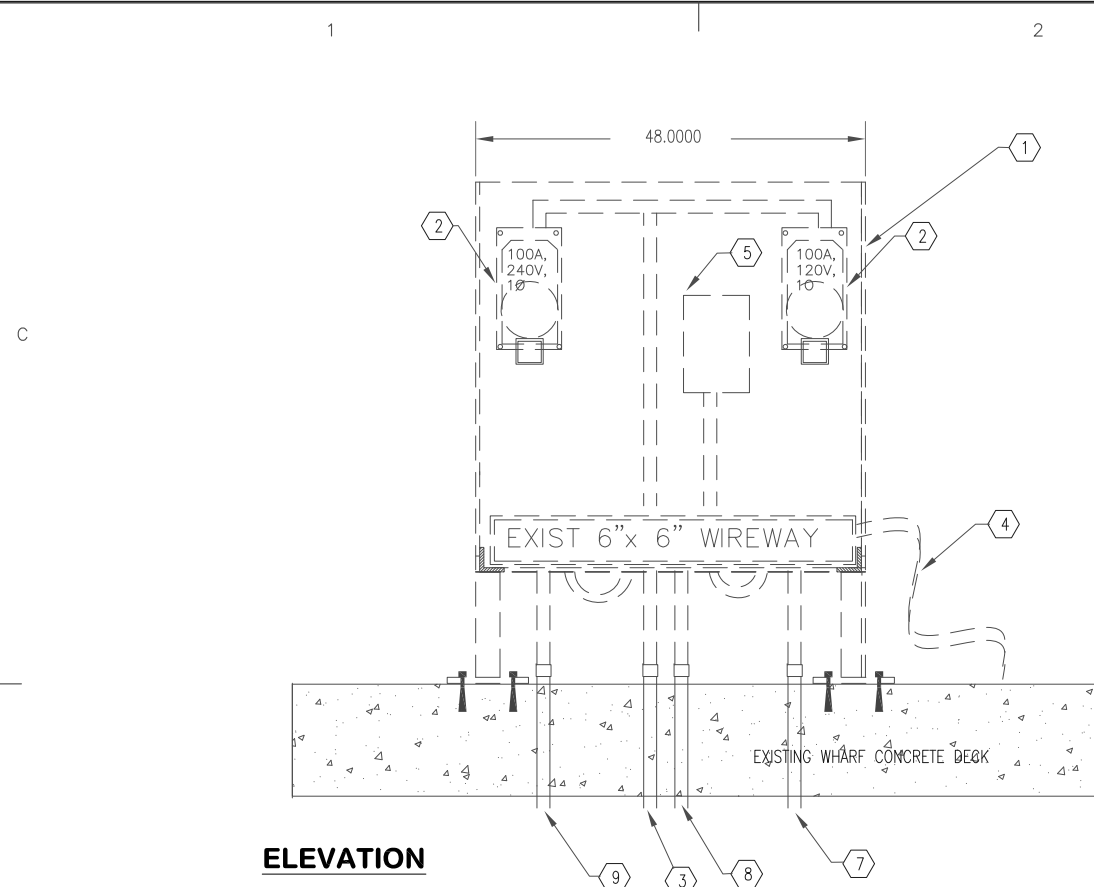
A/E PROJECT NO:
 CAD FILE NAME: M1314E04.DWG
 DESIGNED BY: DT
 DRAWN BY: DT
 EDITED BY: DT
 CHECKED BY: DT

SCALE:AS SHOWN PLOT SCALE:1:1

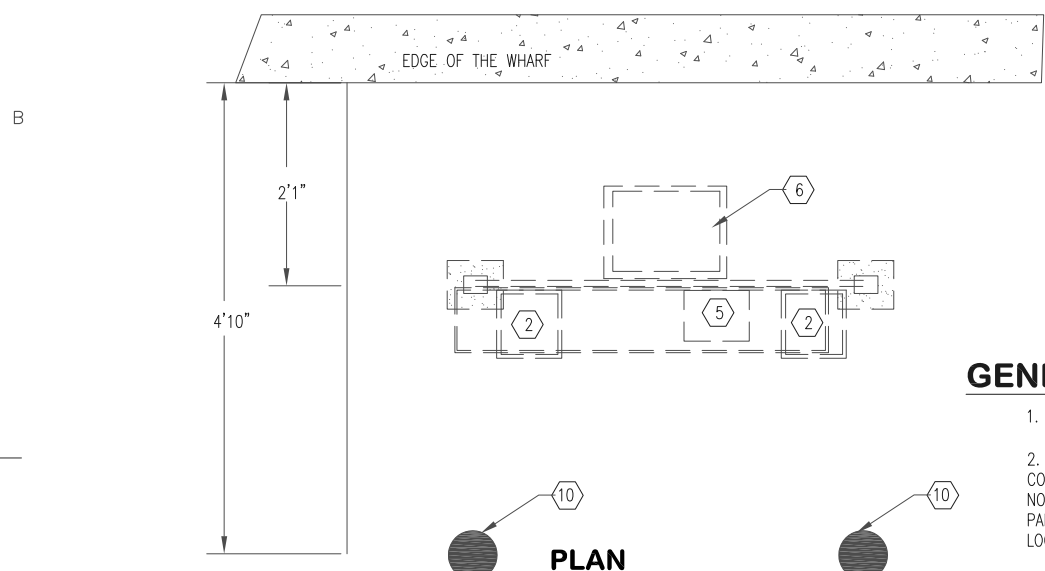
SHEET TITLE
 ELECTRICAL SHORETIES UPGRADE
 U.S.C.G. BASE SAN JUAN
 SAN JUAN PUERTO RICO
 PIER ECHO
 ELECTRICAL
 RISER DIAGRAM/SCHEDULE

REVIEWED BY:	REVIEWED BY:	REVIEWED BY:
PROJECT ENG.	BRANCH CHIEF	TECH. DIRECTOR
APPROVING OFFICER	DATE	

PROJECT NUMBER	DRAWING NUMBER
272861	M1314-D
DISCIPLINE/SHT NO	SHEET 4 OF 12
E-04	



ELEVATION



PLAN

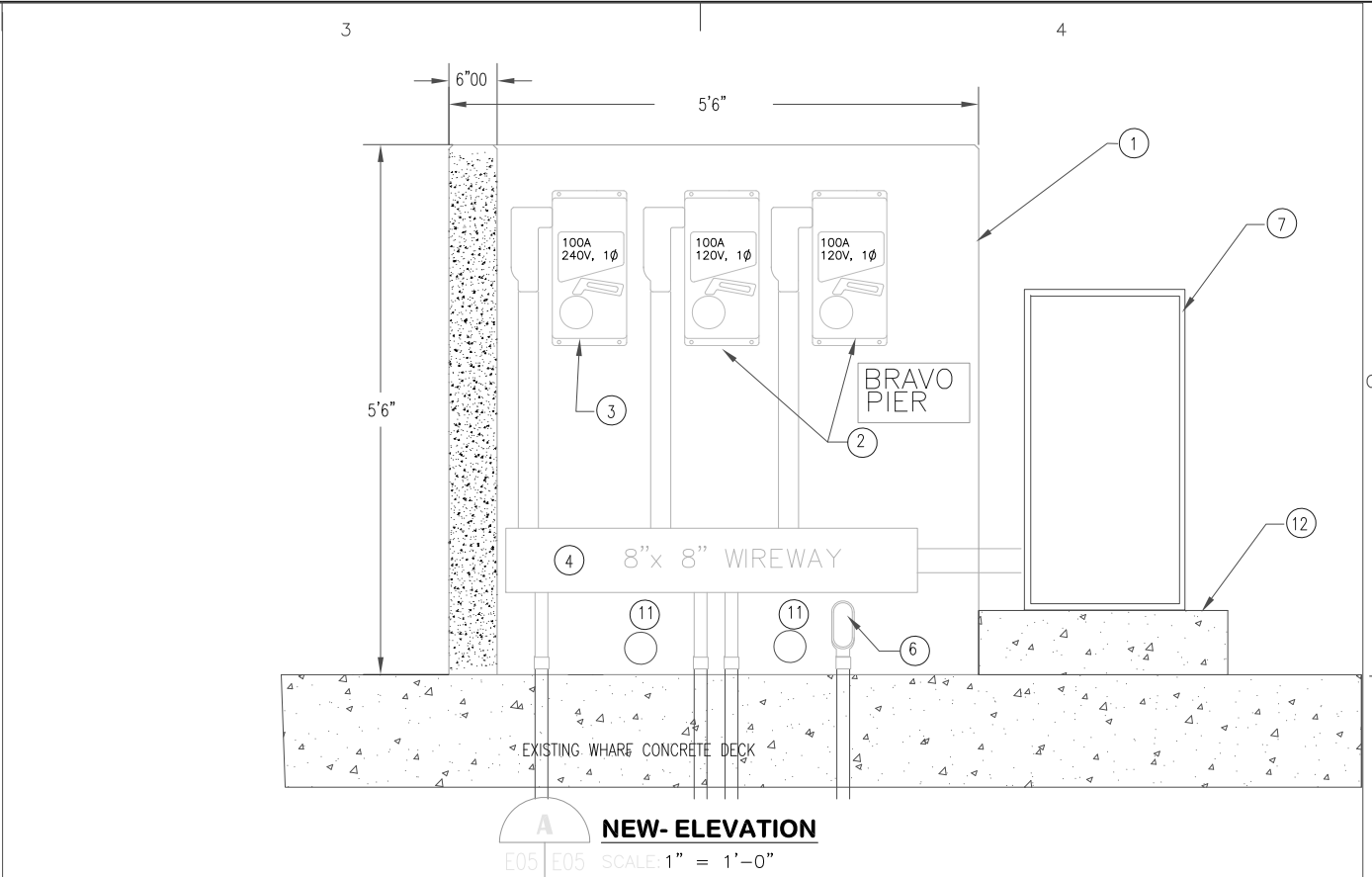


DEMO KEYED NOTES

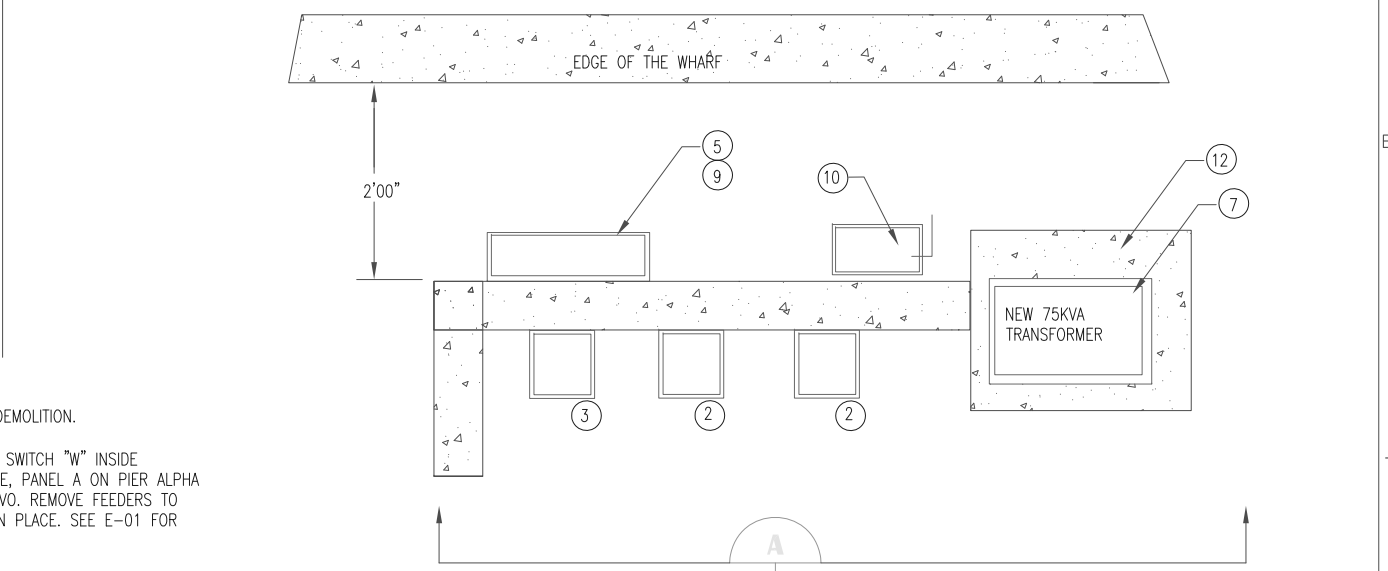
- ① EXISTING MOUNTING FRAME 48"x48" TO BE REMOVED. REMOVE WIRE GUTTER, BREAKER, TRANSFORMER AND SHORETIE RECEPTACLES ON THE FRAME
- ② EXISTING SHORE TIE RECEPTACLE TO BE REMOVED AND REPLACED.
- ③ REMOVE FEEDER CABLES FROM PANEL "A" 2 #2, #6G. 3 #6, 1 #10 (EXISTING CABLES ARE TERMINATED INSIDE WIRE GUTTER). REPAIR ABOVE GROUND CONDUIT
- ④ TEMPORARY SHORE TIE FEEDER ON FLEXIBLE CABLE TO BE REMOVED.
- ⑤ REMOVE 100 AMP BREAKER.
- ⑥ REMOVE 208-240 VOLT TRANSFORMER.
- ⑦ REMOVE FEEDER FROM PANEL "A" TO 120 VOLT SHORETIE 2 #2 IN 2"C. REPAIR ABOVE GROUND CONDUIT
- ⑧ REMOVE 4 #12 & #10 IN 2"C LOOP THROUGH TO KEY NOTE #9. REPAIR ABOVE GROUND CONDUIT
- ⑨ REMOVE 4 #12 & #10 IN 2"C LOOP THROUGH TO KEY NOTE #8. REPAIR ABOVE GROUND CONDUIT
- ⑩ EXISTING BOLLARD TO REMAIN.

GENERAL NOTES

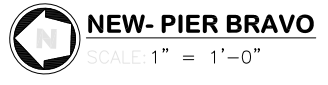
1. VERIFY ALL WIRING AND CONDUIT RUNS BEFORE DEMOLITION.
2. EXISTING FEEDER TO PIER BRAVO ARE FED FROM SWITCH "W" INSIDE COMPRESSOR BUILDING. THIS CIRCUIT FEEDS PANEL E, PANEL A ON PIER ALPHA NORTH, LOOP THROUGH ALPHA SOUTH THEN TO BRAVO. REMOVE FEEDERS TO PANEL A AND PIER BRAVO, OTHER SHALL REMAINS IN PLACE. SEE E-01 FOR LOCATION OF PANELS AND CONDUIT RUNS.
3. REMOVE ALL CABLES BACK TO SOURCE, UNLESS OTHERWISE INDICATED.



NEW-ELEVATION



PLAN



NEW PLAN KEYED NOTES

- ① NEW CONCRETE SHORE TIE SUPPORT. SEE DETAIL ON E-10
 - ② NEW 100 AMP, 240 VOLT SHORETIE RECEPTACLE.
 - ③ NEW 200 AMP, 120V SHORETIE RECEPTACLE.
 - ④ 8X8X48" NEMA 4X WIREWAY.
 - ⑤ 100 AMP, 1 PHASE, 120/ 240 VOLT PANEL. NEMA 4X ENCLOSURE.
 - ⑥ NEW ELBOW / PVC CONDUIT. NEW FEEDER, EXTEND TO NEW TRANSFORMER DISCONNECT SWITCH.
 - ⑦ NEW 75KVA TRANSFORMER "T1" ON 6" ELEVATED PAD
 - ⑧ EXISTING BOLLARD TO REMAIN.
 - ⑨ NEW GFCI RECEPTACLE IN WP BOX BELOW PANEL.
 - ⑩ NEMA 4X, FUSED, 200 AMP DISCONNECT SWITCH.
 - ⑪ 4" PVC SLEEVE THROUGH WALL.
 - ⑫ NEW 6" ELEVATED PAD. SEE DETAIL ON E-10
- NOTE: SEE RISER DIAGRAM ON E-06.

CONSULTANTS

U. S. COAST GUARD
CIVIL ENGINEERING UNIT
MIAMI



USCG. CEU MIAMI
15608 SW 117TH AVE
MIAMI, FL 33177

ISSUE		
DT	27APR07	FINAL SUBMITTAL
DT	08MAR07	95% REVIEW
MARK	DATE	DESCRIPTION

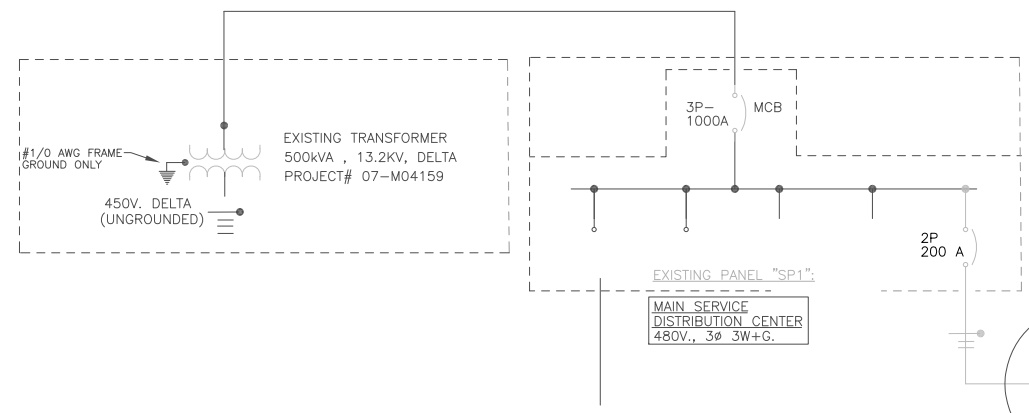
A/E PROJECT NO:	
CAD FILE NAME: M1314E05.DWG	
DESIGNED BY:	DT
DRAWN BY:	DT
EDITED BY:	DT
CHECKED BY:	DT

SCALE: AS SHOWN PLOT SCALE: 1:1

SHEET TITLE
ELECTRICAL SHORETIES UPGRADE
U.S.C.G. BASE SAN JUAN
SAN JUAN PUERTO RICO
PIER BRAVO
SHORE TIE SUPPORT
DEMO / NEW PLAN

REVIEWED BY:	REVIEWED BY:	REVIEWED BY:
PROJECT ENG.	BRANCH CHIEF	TECH. DIRECTOR
APPROVING OFFICER	DATE	

PROJECT NUMBER	DRAWING NUMBER
272861	M1314D
DISCIPLINE/SHT NO	SHEET 5 OF 12
E-05	

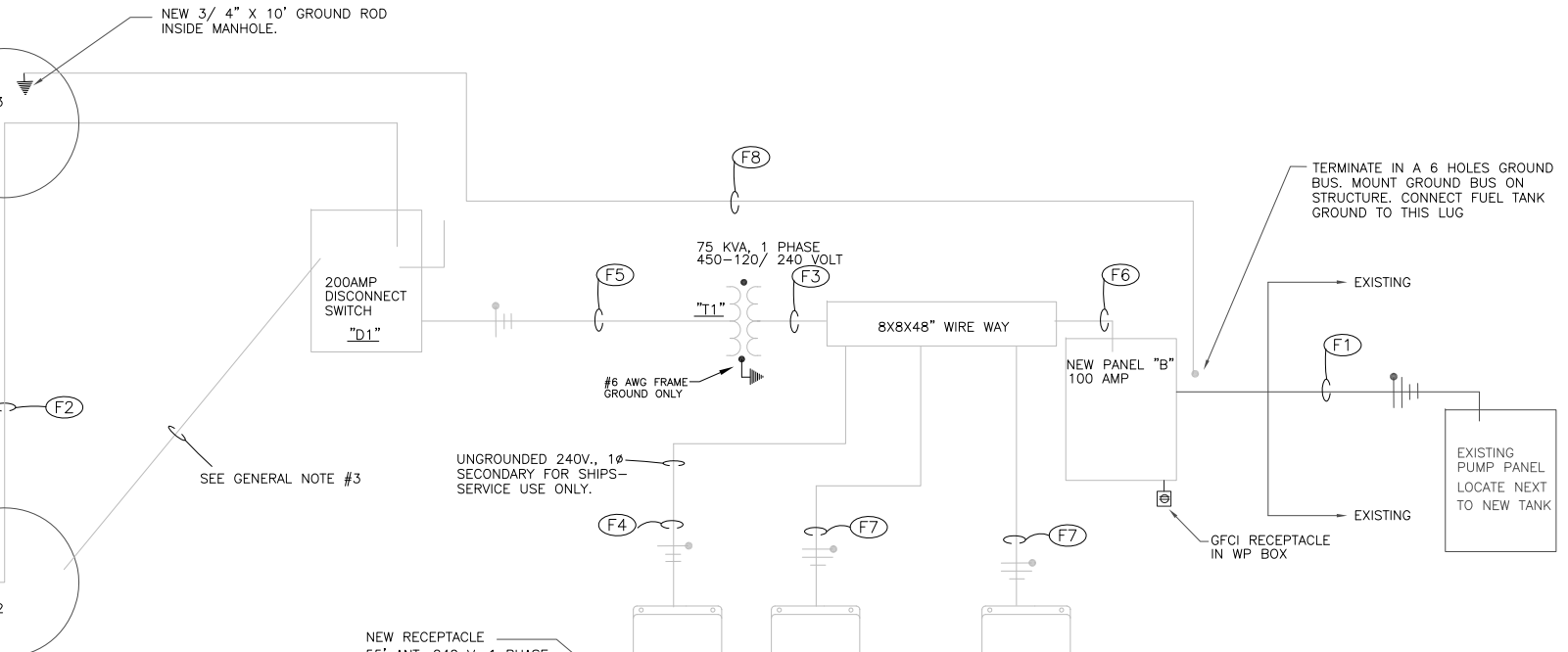


EXISTING PANELBOARD SP1 SCHEDULE														
1000 A. MAIN, 480 Y/277 V., 3 PHASE, 4 WIRE, 35 KAIC MINIMUM, INSIDE SUB #4 ENCLOSURE														
LOAD SERVED	LOAD (AMPS)			BKR. TRIP	WIRE SIZE	CKT. NO.	PHASE			CKT. NO.	WIRE SIZE	BKR. TRIP	LOAD (AMPS)	LOAD SERVED
	A	B	C				A	B	C					
SHORE TIE RECEPTACLE ALPHA NORTH	*	*	*	200	3/0	1				2	3/0	200	SHORE TIE RECEPTACLE ALPHA SOUTH	
					3/0	3				4	3/0	200		
					3/0	5				6	3/0	200		
SHORE TIE RECEPTACLE CHARLIE NORTH	*	*	*	200	3/0	7				8	3/0	200	SHORE TIE RECEPTACLE CHARLIE SOUTH	
					3/0	9				10	3/0	200		
					3/0	11				12	3/0	200		
SHORE TIE RECEPTACLE DELTA NORTH	*	*	*	200	3/0	13				14	3/0	200	SHORE TIE RECEPTACLE DELTA SOUTH	
					3/0	15				16	3/0	200		
					3/0	17				18	3/0	200		
SPARE	*	*	*	20	12	19				20	12	20	SPARE	
SPARE	*	*	*	20	12	21				22	10	100	SPARE	
SPARE	*	*	*	20	12	23				24	12	20	SPARE	
SHORE TIE RECEPTACLE BRAVO	*	*	*	200	3/0	25				26	12	20	BLANK	
					3/0	27				28	12	20	BLANK	
SPARE	*	*	*	20	12	29				30	12	20	BLANK	
					3/0	31				32	12	20	BLANK	
TRANSFORMER 120/208	*	*	*	60	6	33				34	12	20	AIR COMPRESSOR SHACK	
					350	35				36	12	20	BLANK	
SPARE	*	*	*	600	350	37				38	12	20	BLANK	
					350	39				40	12	20	BLANK	
BLANK	*	*	*	20	12	41				42	12	20	BLANK	
TOTAL	*	*	*										TOTAL	
TOTAL CONNECTED AMPS A: B: C:														

NEW BREAKER. CIRCUIT FOR BRAVO PIER SHORE TIE RECEPTACLE

PANELBOARD "B" SCHEDULE														
100 A. MAIN, 120/240 V., 1 PHASE, 3 WIRE, 10 KAIC MINIMUM, SURFACE MOUNT, NEMA 4X														
LOAD SERVED	LOAD (AMPS)			BKR. TRIP	WIRE SIZE	CKT. NO.	PHASE			CKT. NO.	WIRE SIZE	BKR. TRIP	LOAD (AMPS)	LOAD SERVED
	A	B	C				A	B	C					
SPARE	*	*	*	20	12	1				2		20	FUEL PUMP CONTROL	
SPARE	*	*	*	20	12	3				4	6	40	SEE NOTE	
SPARE	*	*	*	20	12	5				6	12	20	WP RECEPTACLE, GFI	
BLANK	*	*	*	20	12	7				8	12	20	BLANK	
BLANK	*	*	*	20	12	9				10	12	20	BLANK	
BLANK	*	*	*	20	12	11				12	12	20	BLANK	
BLANK	*	*	*	20	12	13				14	12	20	BLANK	
BLANK	*	*	*	20	12	15				16	12	20	BLANK	
BLANK	*	*	*	20	12	17				18	12	20	BLANK	
BLANK	*	*	*	20	12	19				20	12	20	BLANK	
TOTAL	*	*	*										TOTAL	
TOTAL CONNECTED AMPS A: B: C:														

NOTE: CIRCUIT WILL BE SPARE IF ADDIVE BID #1 ON E-07 IS AWARDED.



GENERAL NOTES

- CONTRACTOR SHALL VERIFY ALL EXISTING CONDUCTORS BEFORE DEMOLITION. REMOVE CONDUCTORS BACK TO SOURCE.
- NEW WORK ARE INDICATED BY KEYED NOTES OR DARKED LINES ONLY.
- EXISTING FEEDERS TO PIER BRAVO COME FROM PANEL "A" ON PIER ALPHA NORTH, LOOP TO ALPHA SOUTH THEN TO BRAVO. CONTRACTOR CAN USE EXISTING PATH TO PULL NEW FEEDER TO PIER BRAVO OR USE SHORTER PATH THROUGH OTHER HANDHOLES TO PULL NEW CONDUCTORS. UPDATE AS BUILT DRAWINGS.
- ALL METALLIC ENCLOSURE SHALL BE GROUNDED, USE #2 THHN.
- RUSSELLSTOLL MAX GUARD INTERLOCKED RECEPTACLE WITH CIRCUIT BREAKER, 100 AMP, 125VAC, 2P3W, 2" CONDUIT ENTRANCE ON LEFT SIDE, SCREW CAP. RUSSELLSTOLL CAT. No. DBRS110710000 RECEPTACLE WITH MATCHING PLUG CAT. No. DS1107MP000.
- RUSSELLSTOLL MAX GUARD INTERLOCKED RECEPTACLE WITH CIRCUIT BREAKER, 100 AMP, 240VAC, 2P3W, 2" CONDUIT ENTRANCE ON LEFT SIDE, SCREW CAP. RUSSELLSTOLL CAT. No. DBRS120710000 RECEPTACLE WITH MATCHING PLUG CAT. No. DS1207MP000.

FEEDER SCHEDULE			
TYPE	DESCRIPTION	WIRE	CONDUIT
F1	EXISTING FEEDER TO FUEL PUMP CONTROL PANEL. FEEDER SHALL BE CONNECTED TO PANEL A CIRCUITS IF ADDITIVE BID #1 IS AWARDED.	3 #6 & 6AWG G.	EXISTING.
F2	FEEDER TO BRAVO PIER. USE EXISTING UNDERGROUND CONDUIT. REPAIR ABOVE GROUND CONDUIT	2#3/0 & #2 G	EXISTING UNDERGROUND CONDUIT. 2" C
F3	SECONDARY MAIN CONDUCTORS TO WIRE WAY. TAP TO FEED PANEL AND SHORETIE RECEPTACLES.	3 #350MCM & 1#2AWG GND.	3" PVC SCHEDULE 80 CONDUIT
F4	FEEDER TO 55' ANT BOAT SHORETIE RECEPTACLE. 100 AMP 240 VOLT	2 #2 & 6AWG G.	2" PVC SCHEDULE 80 CONDUIT
F5	FEEDER TO 75 KVA TRANSFORMER	2#3/0 & #2 G	2" PVC SCHEDULE 80 CONDUIT
F6	FEEDER TO PANEL "B".	3 #2 & 1 #6 AWG GND.	1 1/2" PVC SCHEDULE 80 CONDUIT
F7	FEEDER TO 47' SHORETIE RECEPTACLE	2 #2 & 6AWG G.	2" PVC SCHEDULE 80 CONDUIT
F8	#6 GROUND FROM MH#2 TO PANEL "B". AUXILIARY GROUNDING CONDUCTOR TO FUEL TANK. INSTALL ONE 3/4x10' GROUND ROD IN MAN HOLE.	#6	RUN IN EXISTING 2" UNDERGROUND CONDUIT. USE 3/4" PVC SCHEDULE 80 CONDUIT ABOVE GROUND

NOTE: ALL FEEDERS ARE NEW EXCEPT "F1".

TRANSFORMER SCHEDULE	
TYPE	DESCRIPTION
"T1"	NEW 75KVA TRANSFORMER, 1Ø, 480V HV -120/240V LV. EPOXY ENCAPSULATED 115 DEG C RISE TRANSFORMER. HAZARDOUS LOCATION, 316 STAINLESS STEEL ENCLOSURE. TAPS 2-2.5%AN & 1-2.5% BN. UL LISTED FOR HAZARDOUS LOCATION. OLSUN SIL-PAC

DISCONNECT SW SCHEDULE	
TYPE	DESCRIPTION
"D1"	600V, 200AMP, HEAVY DUTY, NEMA 4X STAINLESS STEEL, 1 PHASE, FUSED AT 200 AMP.

**PIER BRAVO
NEW WORK RISER DIAGRAM**
SCALE: N.T.S

CONSULTANTS

U. S. COAST GUARD
CIVIL ENGINEERING UNIT
MIAMI



USCG. CEU MIAMI
15608 SW 117TH AVE
MIAMI, FL 33177

ISSUE		
DT	DATE	DESCRIPTION
DT	27APR07	FINAL SUBMITTAL
DT	08MAR07	95% REVIEW
MARK		

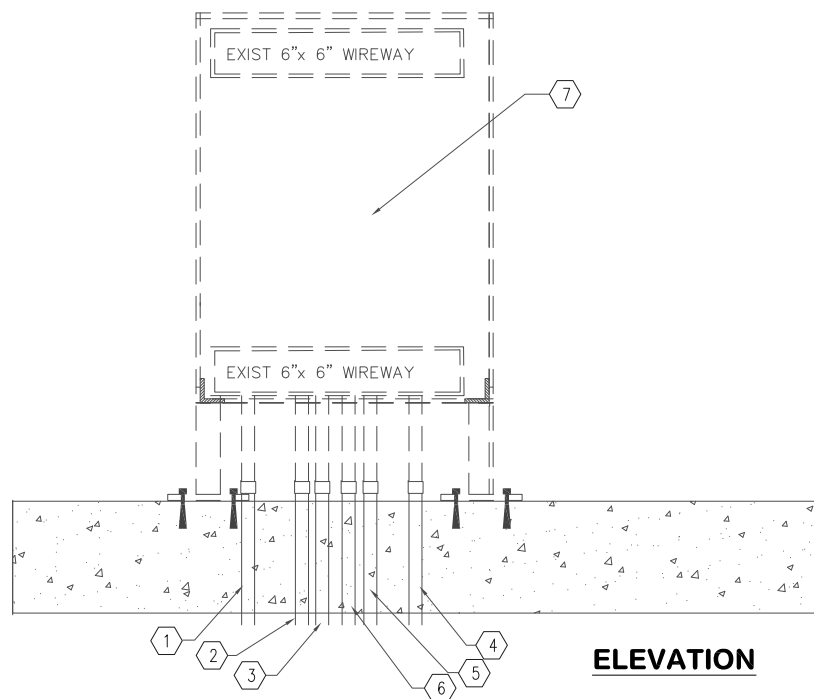
A/E PROJECT NO:		
CAD FILE NAME: M1314E07.DWG		
DESIGNED BY: DT		
DRAWN BY: DT		
EDITED BY: DT		
CHECKED BY: DT		

SCALE: AS SHOWN PLOT SCALE: 1:1

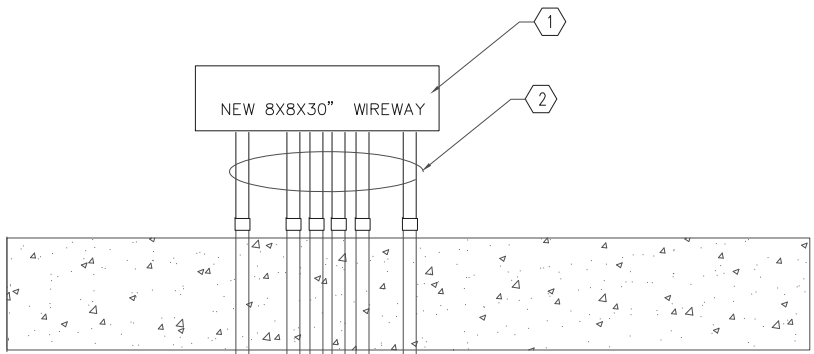
**ELECTRICAL SHORETIES UPGRADE
U.S.C.G. BASE SAN JUAN
SAN JUAN PUERTO RICO
PIER BRAVO
ELECTRICAL
RISER DIAGRAM/SCHEDULE**

REVIEWED BY:	REVIEWED BY:	REVIEWED BY:
PROJECT ENG.	BRANCH CHIEF	TECH. DIRECTOR
APPROVING OFFICER		DATE

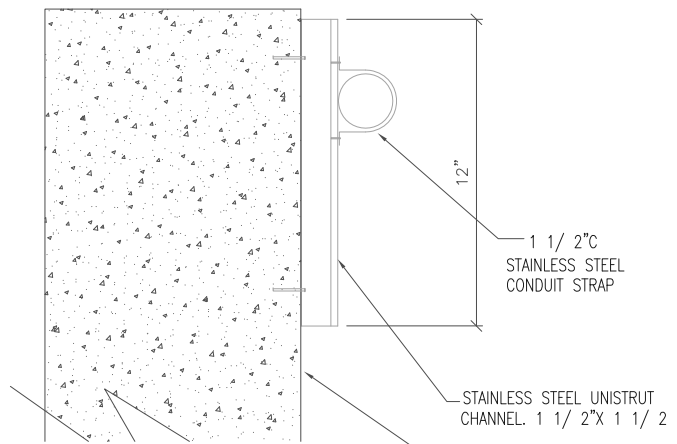
PROJECT NUMBER	DRAWING NUMBER
272861	M1314-D
DISCIPLINE/SHT NO	SHEET
E-06	6 OF 12



DEMO- PIER ALPHA SOUTH
SCALE: 1" = 1'-0"



DEMO- PIER ALPHA SOUTH
SCALE: 1" = 1'-0"



CONDUIT SUPPORT DETAIL
SCALE: N.T.S.

GENERAL NOTES

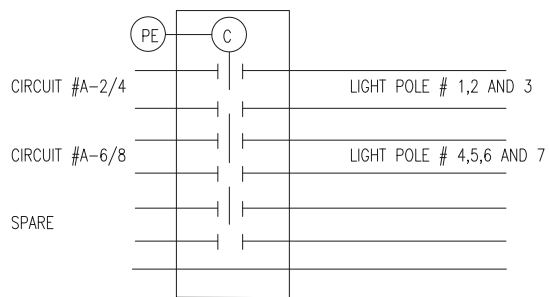
1. CONTRACTOR SHALL VERIFY ALL UNDERGROUND CONDUITS ROUTING PRIOR WORKING.
2. REMOVE ALL NOT IN USE CONDUCTORS BACK TO SOURCES.

DEMOLITION KEYED NOTES

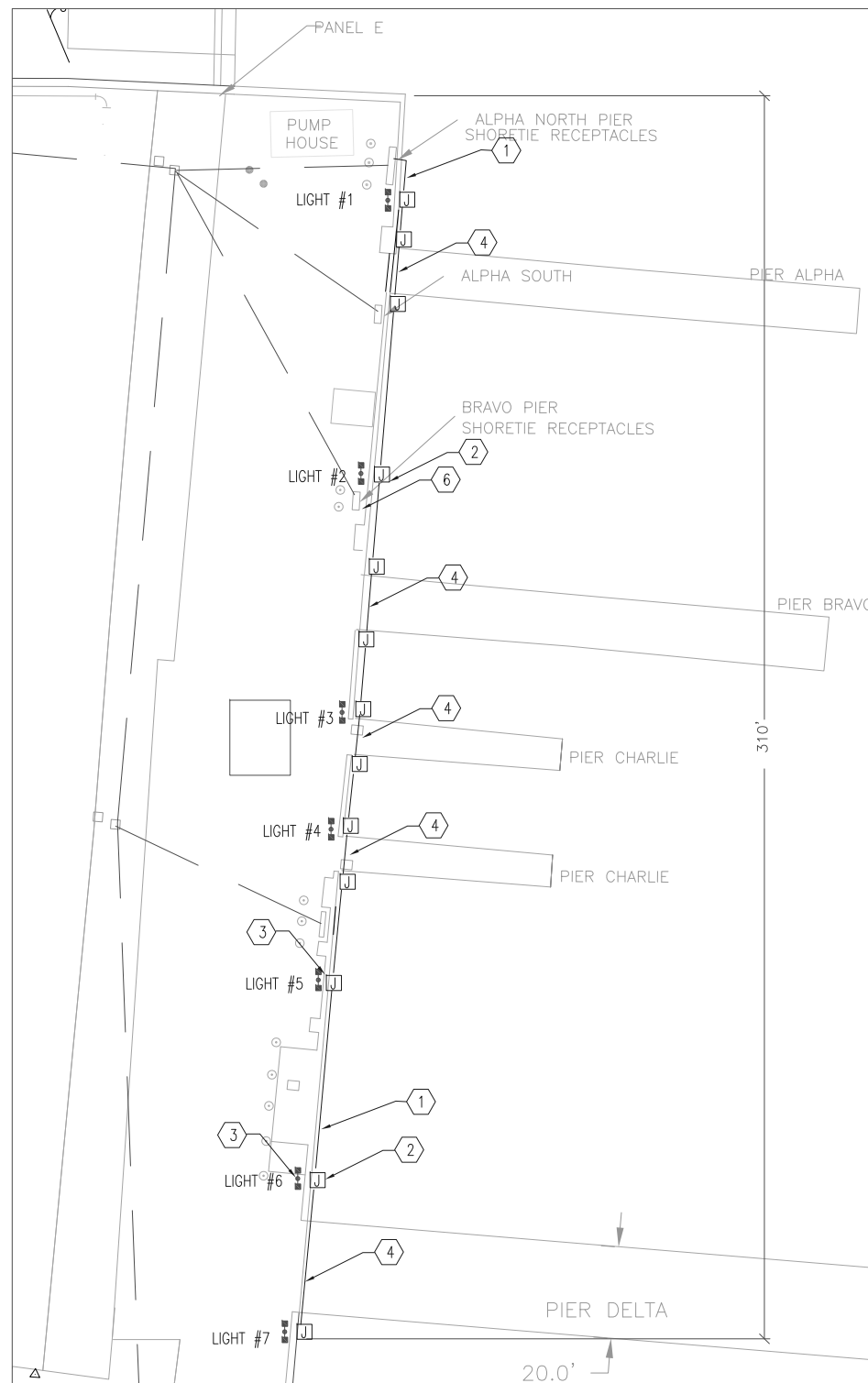
- 1 2"C. 3 #2 TO 100 AMP, 120 VOLT RECEPTACLE ON PIER BRAVO. 1 # 2, 6 #12 (5 #12 LOOP TO KEY NOTE #6)
- 2 2"C. 3 #2 TO 100 AMP, 240 VOLT RECEPTACLES PIER BRAVO.
- 3 2" C SPARE
- 4 2"C. 2# 2 LOOP THROUGH FROM KEY NOTE #2.
- 5 2"C 2 #2 LOOP THROUGH FROM KEY NOTE #1 TO PIER BRAVO.
- 6 2"C. 5 #12 LOOP THROUGH FROM KEY NOTE #1.
- 7 REMOVE EXISTING FRAME, WIRE GUTTER.

NEW WORK KEYED NOTES

- 1 NEW NEMA 4X STAINLESS STEEL WIRE GUTTER. CONTRACTOR CAN PULL NEW CONDUCTOR TO PIER BRAVO THROUGH THIS GUTTER AS EXISTING OR FROM HANHOLE. PROVIDE 2 PULLWIRE PER CONDUIT TO NEXT HANDHOLE.
- 2 REPAIR 6-2" CONDUIT AND EXTEND TO NEW WIRE GUTTER.



EXTERIOR LIGHTING CONTACTOR #1
SCALE: N.T.S.



NEW LIGHTING CIRCUIT-OPTIONAL ITEM #1
SCALE: N.T.S.

KEYED NOTES

- 1 RUN APPR 310' OF PVC SCHEDULE 80 CONDUIT ON THE FACE OF EXISTING WHAF. CONDUIT SHALL BE SUPPORT AT EVERY 8'. CONDUIT SHALL BE 1 1/2" WITH 6 #6 & #8G. SEE DETAIL AA
- 2 TYPICAL 10X10X6" NEMA4X NON METALLIC JUNCTION BOX (13 EACH).
- 3 RUN 3/4" LIQUID TIGHT FLEXIBLE CONDUIT TO EACH LIGHT AND REFEED LIGHT FROM NEW CIRCUIT (TYP).
- 4 SET JUNCTION BOX ON BOTH SIDE OF FINGER PIER AND RUN CONDUIT BELOW FINGER PIER (TYP AT 5 FINGER PIERS).
- 5 EXISTING LIGHT POLE, 20', DUAL SHOE BOX HEAD 150 WATT (7 EA), BYPASS PE FROM EACH LIGHT FIXTURE. PE CONTROL AT LIGHTING CONTACTOR. SEE DETAIL BB.
- 6 RUN 3 #8 AND FROM PANEL "A" TO FUEL PUMP DISCONNECT SWITCH. PROVIDE A TWO POLE 30AMP AT PANEL "A" CIRCUIT #12/14

CONSULTANTS

U. S. COAST GUARD
CIVIL ENGINEERING UNIT
MIAMI



USCG. CEU MIAMI
15608 SW 117TH AVE
MIAMI, FL 33177

ISSUE

DT	DATE	DESCRIPTION
DT	27APR07	FINAL SUBMITTAL
DT	08MAR07	95% REVIEW
MARK		

A/E PROJECT NO:

CAD FILE NAME: M1314E06.DWG

DESIGNED BY: DT

DRAWN BY: DT

EDITED BY: DT

CHECKED BY: DT

SCALE: AS SHOWN PLOT SCALE: 1:1

SHEET TITLE

ELECTRICAL SHORETIES UPGRADE
U.S.C.G. BASE SAN JUAN
SAN JUAN PUERTO RICO
PIER ALPHA SOUTH
ELECTRICAL
PLAN / OPTIONAL ITEM #1

REVIEWED BY: REVIEWED BY: REVIEWED BY:

PROJECT ENG. BRANCH CHIEF TECH. DIRECTOR

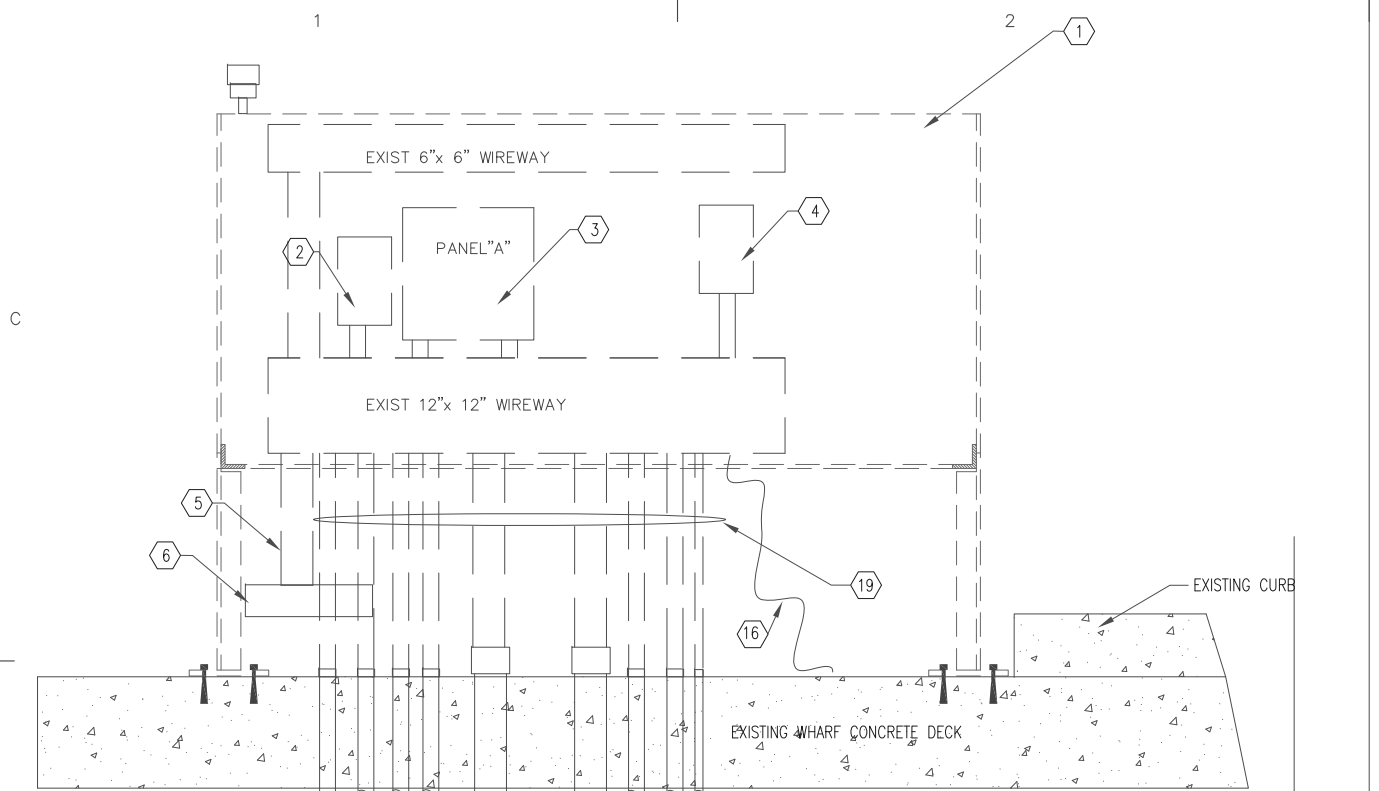
APPROVING OFFICER DATE

PROJECT NUMBER DRAWING NUMBER

272861 M1314-D

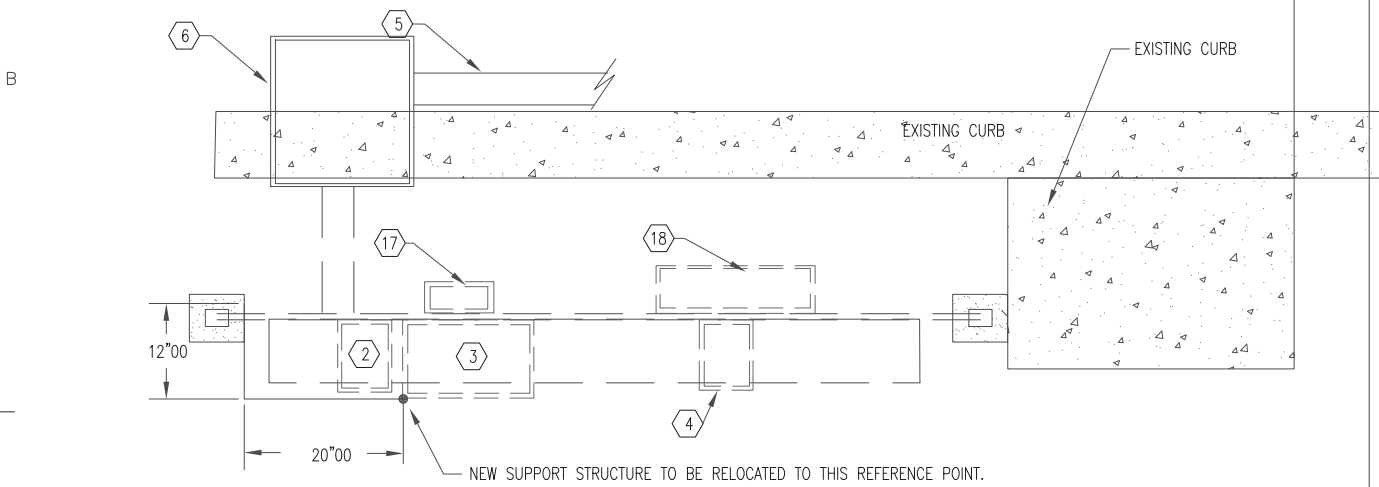
DISCIPLINE/SHT NO SHEET 7 OF 12

E-07



EAST ELEVATION

NOTE: TEST AND REMOVE ALL ABANDONED OR NOT IN USE CABLES.



PLAN

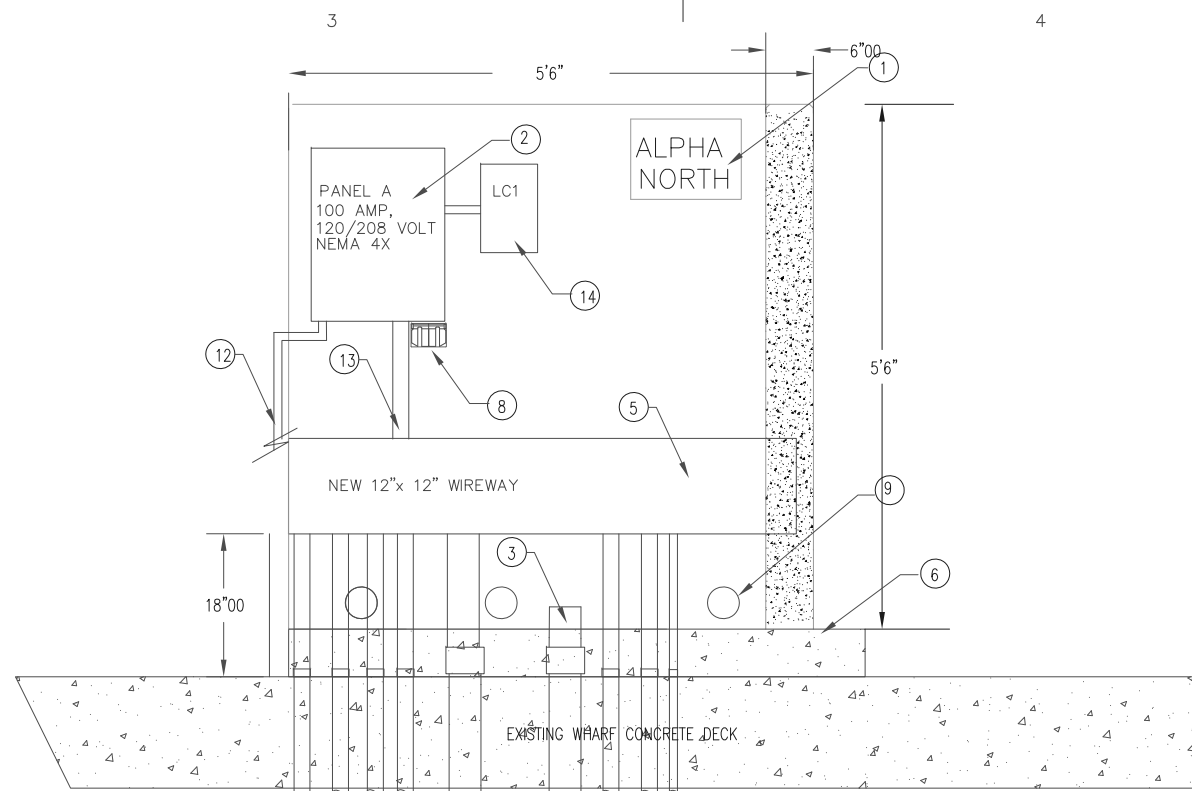


DEMO- PIER ECHO NORTH

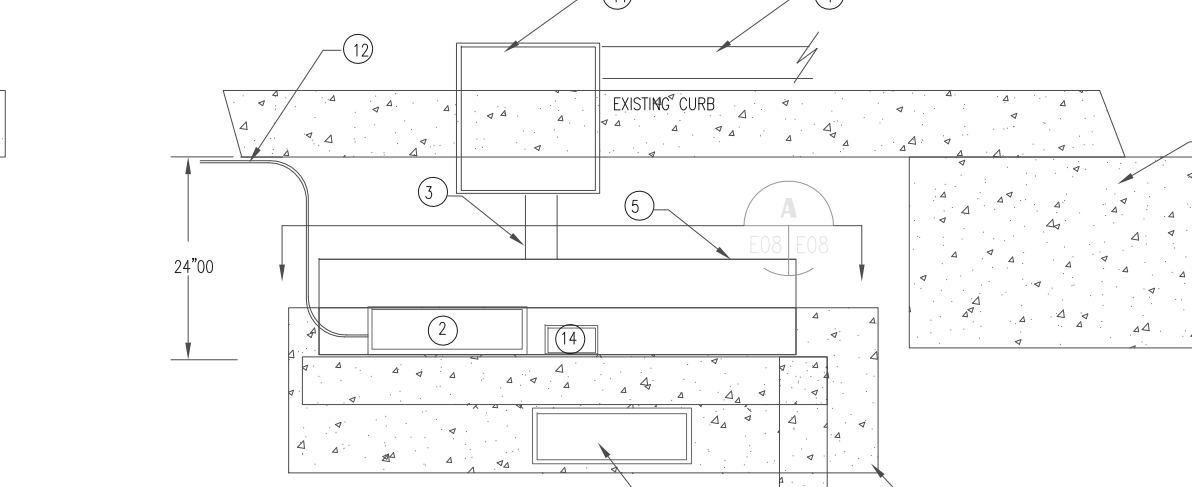
SCALE: 1" = 1'-0"

DEMO KEYED NOTES

- 1 EXISTING MOUNTING FRAME 70"x96" TO BE REMOVED. REMOVE WIRE GUTTER, RECEPTACLE ON THE FRAME
- 2 EXISTING 100 AMP BREAKER TO BE REMOVED. FEEDER CABLES SPLICE TO KEY NOTE #11. BREAKER FEED PANEL A
- 3 100 AMP PANEL, 20 CIRCUITS TO BE REMOVED.
- 4 100 AMP BREAKER TO BE REMOVED.
- 5 7 #3/0 IN 4"C TO FINGER PIER ALPHA TO REMAIN. EXTEND TO NEW WIREWAY
- 6 18X18X6 JUNCTION BOX TO BE REPLACED.
- 7 REMOVE 2 #2 @ #2G FEED PIER B IN 2"C
- 8 5 #12 IN 2"C.
- 9 9 #12 IN 2"C.
- 10 THREE 1" C. COM CONDUITS, 2 SPARE, 1 WITH COAXIAL CABLE.
- 11 4 #3/0 TO WIRE WAY ON TOP, 5 #12, 1 #2 BARE GROUND IN 4"C. REMOVE 4 #3/0 FEEDER BACK TO COMPRESSOR BLDG.
- 12 7 #3/0 IN 4"C TO REMAIN. (FEEDER FROM SUB #4) TO EXISTING ALPHA SHORE RECEPTACLES.
- 13 REMOVE 2 #2, 4 #12, 1 #6, IN 2"C. (2 #2 TO PIER B).
- 14 7 #12 IN 1"C.
- 15 1" SPARE
- 16 FLEXIBLE CORD 3 #4 TEMP FEED LIGHT POLES, TRAILER. REMOVE LIGHTING CIRCUIT IF ADDITIVE BID #1 IS AWARDED.
- 17 8X8" COM BOX TO BE REMOVED. 3- 3/4" C NOT SHOWN (25 TEL PAIR, 4 TEL PAIR)
- 18 16X16" COM BOX TO BE REPLACED.
- 19 CUT ALL EXISTING CONDUITS BACK TO COUPLING. CHIP CONCRETE AROUND CONDUIT TO 2" DEEP, CLEAN AND EPOXY NEW PVC COUPLING TO EXISTING CONDUIT AND EXTEND CONDUIT ABOVE NEW PAD. EXTEND NEW PVC SCHEDULE 80 CONDUIT TO WIREWAY.



NEW-ELEVATION



PLAN



NEW- PIER ECHO NORTH

SCALE: 1" = 1'-0"

NEW PLAN KEYED NOTES

- 1 NEW CONCRETE SHORE TIE SUPPORT. SEE DETAILS ON E-09. SET FRAME TO HAVE ALL EXISTING CONDUITS ON THE EAST SIDE OF NEW FRAME
- 2 NEW 200 AMP PANEL.
- 3 FEEDER TO FINGER PIER ALPHA. PROVIDE NEW LB. CONDUIT TO NEW 18X18 BOX. FIELD ADJUST LOCATION OF J BOX. NEW CABLES AND CONDUIT WILL NOT GO THROUGH WIRE GUTTER.
- 4 EXISTING 4" PVC TO PIER ALPHA SHORE TIE RECEPTACLES.
- 5 NEW 12X12X60" NEMA 4X WIREWAY. EXTEND ALL EXISTING ELECTRICAL CONDUITS TO THIS WIREWAY EXCEPT NOTE 3.
- 6 NEW 6" SLAB. SEE DETAIL ON E-10
- 7 NEW 16X20X60" NEMA 4X, TEL BOX. REWIRE TO MATCH EXISTING. SEE DETAIL ON E-11
- 8 NEMA 20 AMP, 120VOLT GFCI RECEPTACLE IN WEATHER PROOF BOX
- 9 4" PVC SLEEVE THROUGH WALL (3 EA).
- 10 EXISTING CONDUIT AND WIRING.
- 11 NEW NEMA 4X, STAINLESS STEEL JUNCTION BOX.
- 12 NEW FEEDER OF PANEL "A" FROM PANEL "E". RUN CONDUIT ALONG CURB TO PANEL "E", APPR 60'
- 13 2"C. CONNECT EXISTING CIRCUITS INSIDE WIRE GUTTER TO NEW PANEL.
- 14 OPTIONAL ITEM #1. LIGHTING CONTACTOR FOR PIER LIGHT FIXTURES.

NOTE: SEE RISER DIAGRAM ON E-09

CONSULTANTS

U. S. COAST GUARD
CIVIL ENGINEERING UNIT
MIAMI



USCG. CEU MIAMI
15608 SW 117TH AVE
MIAMI, FL 33177

ISSUE

DT	DATE	DESCRIPTION
DT	27APR07	FINAL SUBMITTAL
DT	08MAR07	95% REVIEW

A/E PROJECT NO:
CAD FILE NAME: M1314E08.DWG
DESIGNED BY: DT
DRAWN BY: DT
EDITED BY: DT
CHECKED BY: DT

SCALE: AS SHOWN PLOT SCALE: 1:1

SHEET TITLE

ELECTRICAL SHORITIES UPGRADE
U.S.C.G. BASE SAN JUAN
SAN JUAN PUERTO RICO
PIER ALPHA NORTH
ELECTRICAL
DEMO/ NEW PLAN

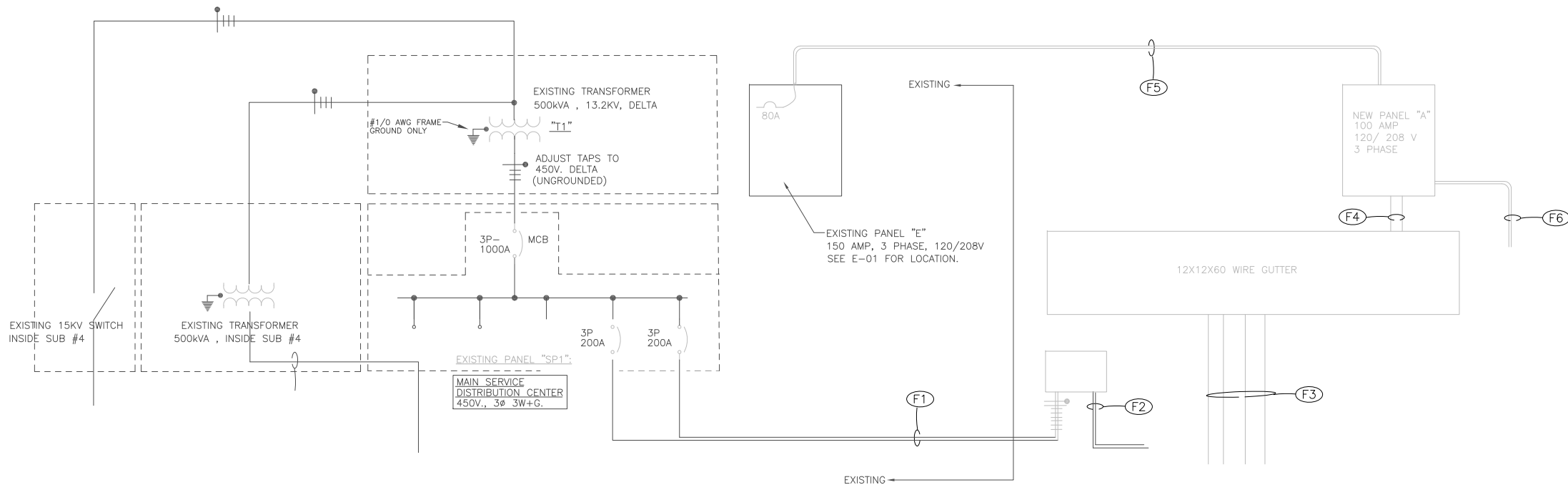
PROJECT ENG.	BRANCH CHIEF	TECH. DIRECTOR
REVIEWED BY:	REVIEWED BY:	REVIEWED BY:

APPROVING OFFICER DATE

PROJECT NUMBER DRAWING NUMBER

272861 M1314D

DISCIPLINE/SHT NO SHEET 8 OF 12
E-08



GENERAL NOTES

1. CONTRACTOR SHALL RECORD ALL WIRING PRIOR DEMOLITION AND RECONNECT AS EXISTING. REMOVE ALL ABANDONED CABLES BACK TO SOURCES.
2. NEW CONDUITS SHALL BE PVC SCHEDULE 80

NEW WORK RISER DIAGRAM

SCALE: N.T.S

PANELBOARD A SCHEDULE

100 A. MAIN, 120/208 V., 3 PHASE, 3 WIRE, 10 KAIC MINIMUM, SURFACE MOUNT, NEMA 4X

LOAD SERVED	LOAD (AMPS)		BKR. TRIP	WIRE SIZE	CKT. NO.	PHASE		CKT. NO.	WIRE SIZE	BKR. TRIP	LOAD (AMPS)		LOAD SERVED
	A	B				A	B				A	B	
GFI RECEPTACLE	*	*	20	12	1	~	~	2		20	*	*	PIER A/B/C LIGHT POLE
CAMERA AT ALPHA PIER	*	*	20	12	3	~	~	4	6		*	*	
EXISTING LOADS	*	*	20	12	5	~	~	6			*	*	PIER E LIGHT POLE
ATU TRAILER TEMPORARY	*	*	30	10	7	~	~	8	6	20	*	*	
					9	~	~	10	12	20	*	*	PE FOR LC1
EXISTING LOADS	*	*	20	12	11	~	~	12			*	*	FUEL PUMP
EXISTING LOADS	*	*	20	12	13	~	~	14	8	30	*	*	
SPARE	*	*	30	10	15	~	~	16	12	20	*	*	SPARE
SPARE	*	*			17	~	~	18	12	20	*	*	SPARE
SPARE	*	*	20	12	19	~	~	20	12	20	*	*	SPARE
TOTAL	*	*									*	*	TOTAL

ADDITIVE BID #1. IF ADDITIVE BID #1 IS NOT AWARDED, THESE BREAKERS WILL BE BLANK.
 && VERIFY ALL EXISTING CIRCUITS IN THE PANEL AND RELOCATE TO NEW PANEL. UPDATE PANEL SCHEDULE.

FEEDER SCHEDULE

TYPE	DESCRIPTION	WIRE	CONDUIT
F1	EXISTING FEEDER TO ALPHA PIER FROM SUB #4.	7# 3/0 & #2 BARE G. (EXISTING)	4"C.
F2	EXISTING FEEDER TO ALPHA PIER SHORE TIE	7# 3/0 & #2 BARE G. (EXISTING)	4"C.
F3	EXISTING CONDUITS. EXTEND TO NEW WIRE GUTTER	VARIES. SEE DEMO PLAN	VARIES. SEE DEMO PLAN
F4	CONNECT EXISTING CIRCUITS AND NEW FROM WIRE GUTTER TO PANEL "A"	VARIES. SEE DEMO PLAN	2"C.
F5	NEW FEEDER TO PANEL "A". RUN CONDUIT ALONG INSIDE EXISTING CURB. SEE DRAWING E-01 FOR LOCATION OF PANEL "E". INSTALL 80 AMP, 3 POLE BREAKER IN PANEL "E" TO FEED PANEL "A"	4# 2 & #6 AWG GROUND.	1 1/2" PVC CONDUIT
F6	NEW FEEDER TO LIGHT POLES AND FUEL PUMP PANEL. SEE ADDITIVE BID #1	6# 6, & #8 AWG GROUND.	1 1/2" PVC CONDUIT

CONSULTANTS

U. S. COAST GUARD
 CIVIL ENGINEERING UNIT
 MIAMI



USCG. CEU MIAMI
 15608 SW 117TH AVE
 MIAMI, FL 33177

ISSUE		
DT	27APR07	FINAL SUBMITTAL
DT	08MAR07	95% REVIEW
MARK	DATE	DESCRIPTION

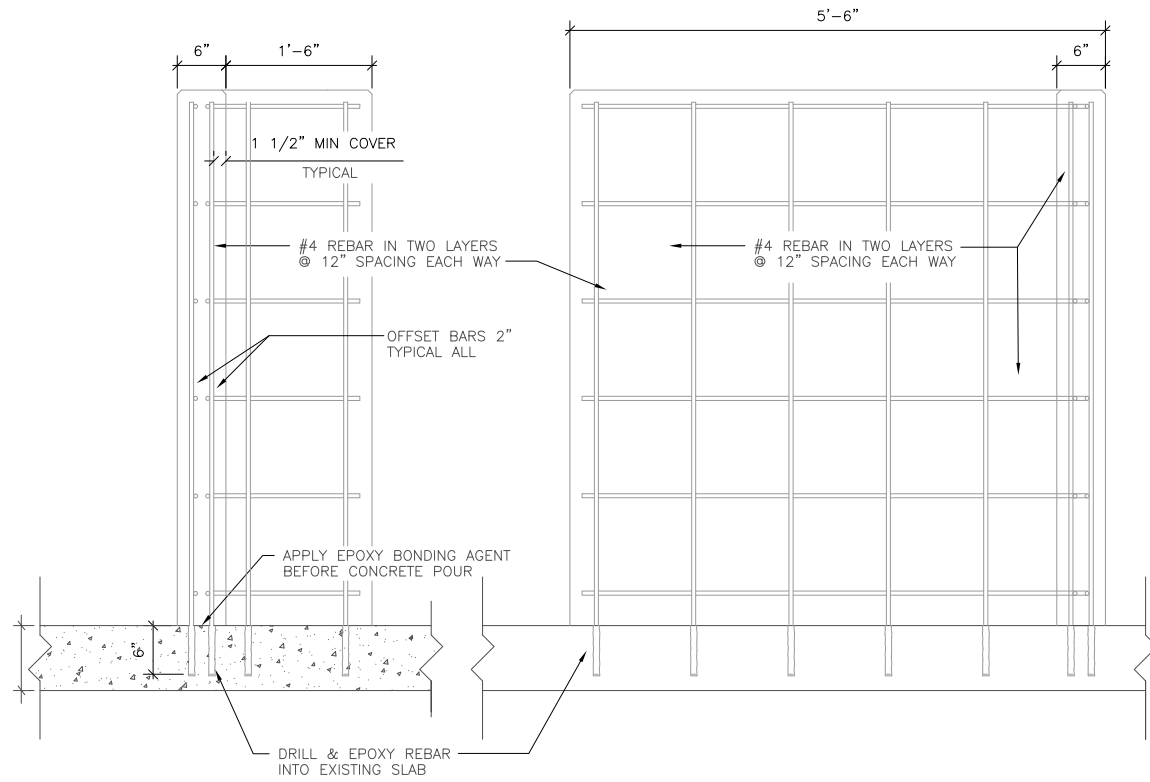
A/E PROJECT NO:		
CAD FILE NAME: M1314E09.DWG		
DESIGNED BY: DT		
DRAWN BY: DT		
EDITED BY: DT		
CHECKED BY: DT		

SCALE: AS SHOWN PLOT SCALE: 1:1

SHEET TITLE		
ELECTRICAL SHORETIES UPGRADE		
U.S.C.G. BASE SAN JUAN		
SAN JUAN	PUERTO RICO	
PIER ALPHA		
ELECTRICAL		
RISER DIAGRAM/SCHEDULE		

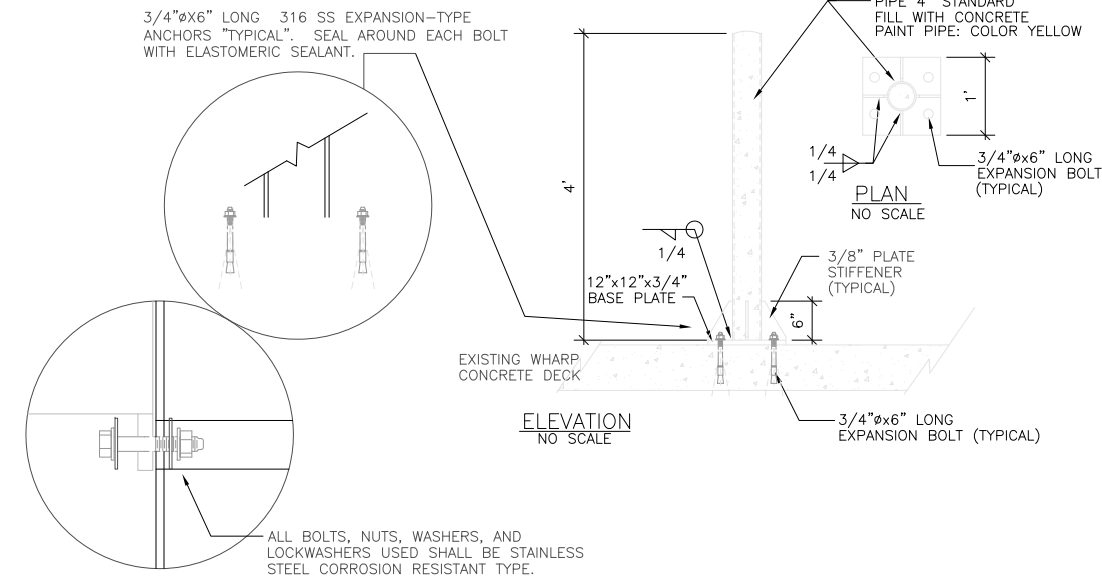
REVIEWED BY:	REVIEWED BY:	REVIEWED BY:
PROJECT ENG.	BRANCH CHIEF	TECH. DIRECTOR
APPROVING OFFICER		DATE

PROJECT NUMBER	DRAWING NUMBER
272861	M1314-D
DISCIPLINE/SHT NO	SHEET 9 OF 12
E-09	



CONCRETE SHORE TIE SUPPORT

SCALE: 1" = 1'-0"



"TYPICAL" HARDWARE REQUIREMENTS

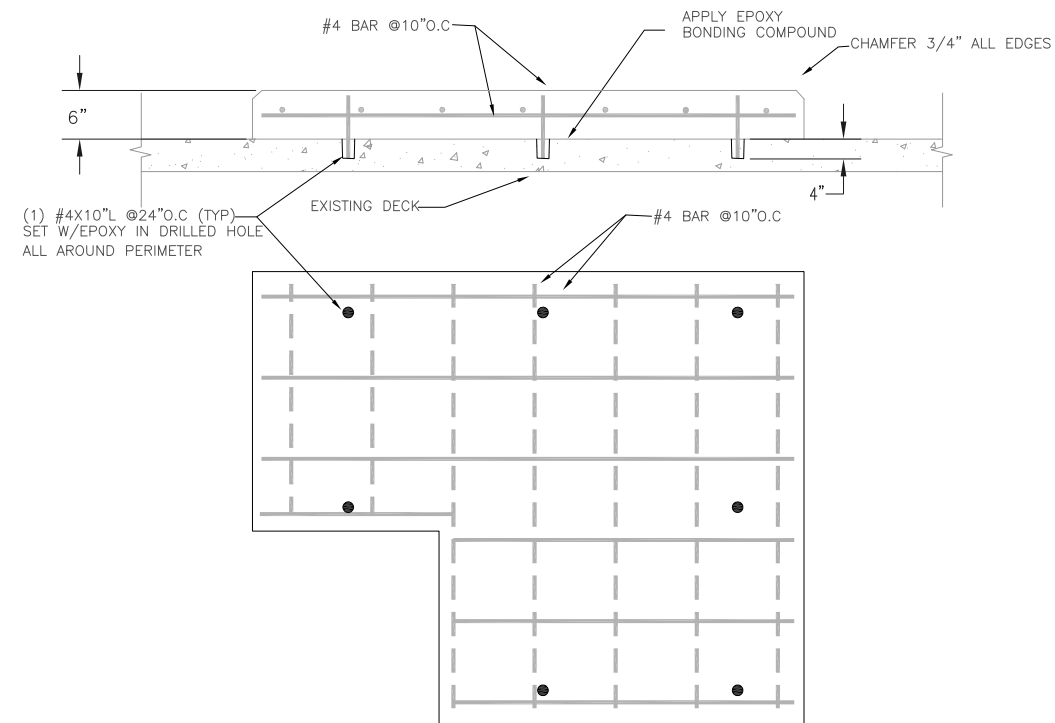
BOLLARD DETAIL

SCALE: N.T.S.



GENERAL NOTES

1. CONSTRUCT CAST-IN-PLACE CONCRETE WALL WHICH SHALL PROVIDE PERMANENT SUPPORT ASSEMBLY FOR ELECTRICAL EQUIPMENT REQUIRED FOR SHORE-TIE POWER RECEPTACLES, JUNCTION BOXES, ETC. CONSTRUCTION OF CAST-IN-PLACE CONCRETE UNITS SHALL BE IN STRICT ACCORDANCE TO CONTRACT SPECIFICATIONS SECTION 03300 "CAST-IN-PLACE CONCRETE".
2. PROVIDE CEMENT BASED WATERPROOF COATING ON ALL CONCRETE SURFACE. PROVIDE BLUE ELASTOMERIC (ALGAE RESISTANT) COATING ON ALL EXPOSED SURFACES OF CONCRETE WALL, MINIMUM TWO COATS. APPLY IN STRICT ACCORD TO THE MANUFACTURER'S APPLICATION INSTRUCTIONS.
3. PROVIDE PAINTED RED STENCIL LETTERING "ECHO NORTH, ECHO SOUTH, BRAVO, ALPHA NORTH AS INDICATED ON ELEVATION. LETTERING SHALL BE MINIMUM 4" HEIGHT. EQUIVALENT ENGRAVED PLAQUES WILL BE ACCEPTABLE HOWEVER THE PLAQUE AND MARKING SHALL BE OF SUFFICIENT DURABILITY TO WITHSTAND THE SALT WATER ENVIRONMENT.



CONCRETE SLAB DETAIL

SCALE: 1" = 1'-0"



NOTE: DIMENSION SHOWN FOR PIER ECHO NORTH. CONTRACTOR SHALL ADJUST DIMENSION FOR OTHER PADS.

CONSULTANTS

U. S. COAST GUARD
CIVIL ENGINEERING UNIT
MIAMI



USCG. CEU MIAMI
15608 SW 117TH AVE
MIAMI, FL 33177

ISSUE		
DT	27APR07	FINAL SUBMITTAL
DT	08MAR07	95% REVIEW
MARK	DATE	DESCRIPTION

A/E PROJECT NO:		
CAD FILE NAME: M1314E10.DWG		
DESIGNED BY: DT		
DRAWN BY: DT		
EDITED BY: DT		
CHECKED BY: DT		

SCALE: AS SHOWN PLOT SCALE: 1:1

SHEET TITLE
ELECTRICAL SHORETIES UPGRADE
U.S.C.G. BASE SAN JUAN
SAN JUAN PUERTO RICO

ELECTRICAL
CONCRETE FRAME DETAILS

REVIEWED BY:	REVIEWED BY:	REVIEWED BY:
PROJECT ENG.	BRANCH CHIEF	TECH. DIRECTOR

APPROVING OFFICER	DATE
-------------------	------

PROJECT NUMBER	DRAWING NUMBER
272861	M1314D

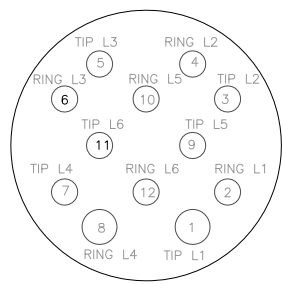
DISCIPLINE/SHT NO	SHEET 10 OF 12
E-10	

TELE. SHORE TIE NOTES

1. DEVIATIONS FROM COLOR CODE, PIN ASSIGNMENT, OR POLARITY ARE NOT ALLOWED.
2. GROUND STRAP, FROM PIN #1 OF ITEMS 3 AND 4 IS REMOVED.
3. VIEW SHOWN IS WIRING SIDE OF RECEPTACLE (REAR VIEW).
4. PAIR #5 AND PAIR #6 ARE FOR DATA LINES.
5. WIRE PHONE OUTLET CONNECTORS AS PER THIS DETAIL.

PIN ASSIGNMENT AND WIRE COLOR CODE TABLE			
LINE NO.	PIN NO.	ASSIGNMENT	COLOR CODE SEE NOTE #1
1	1	T1	BLACK*
	2	R1	WHITE
2	3	T2	BLACK
	4	R2	RED
3	5	T3	BLACK
	6	R3	GREEN
4	7	T4	BLACK
	8	R4	ORANGE
5	9	T5	BLACK
	10	R5	BLUE
6	11	T6	BLACK
	12	R6	BROWN

* SEE NOTE #2



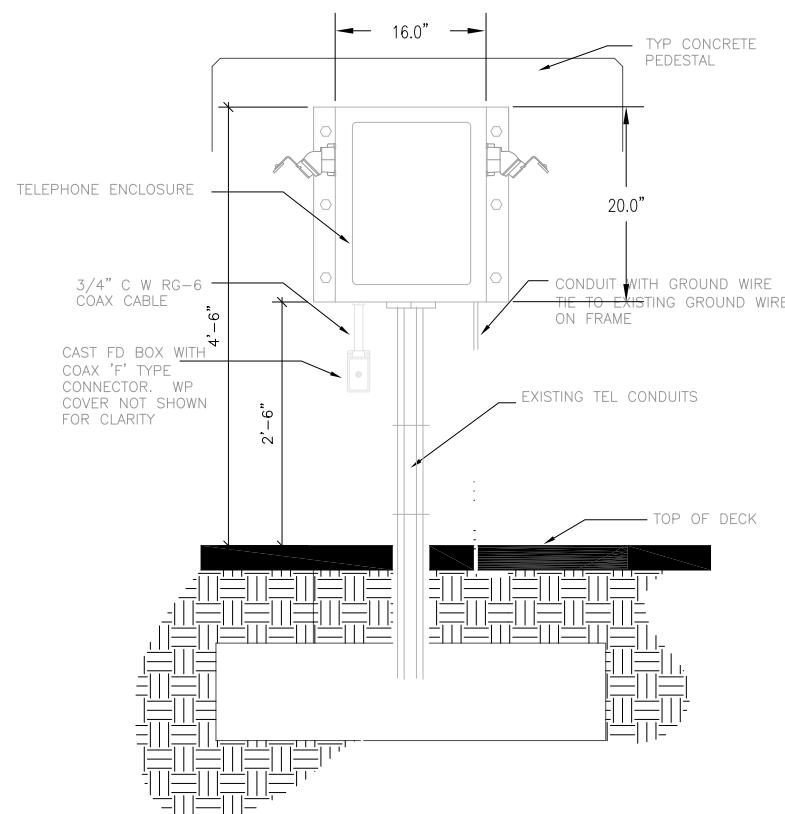
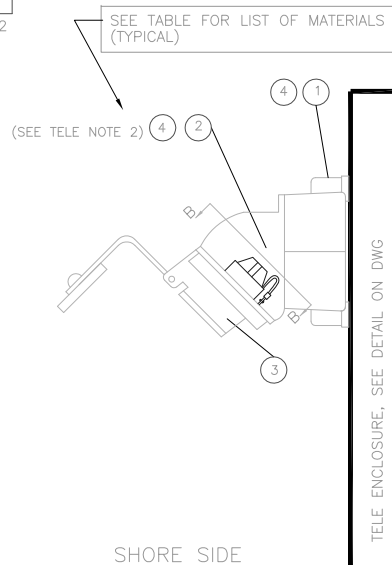
SECTION B-B
(REAR VIEW) SEE TELE NOTE 3

TEL RECEPTACLE WIRING DETAIL

SCALE:AS SHOWN

GENERAL NOTES

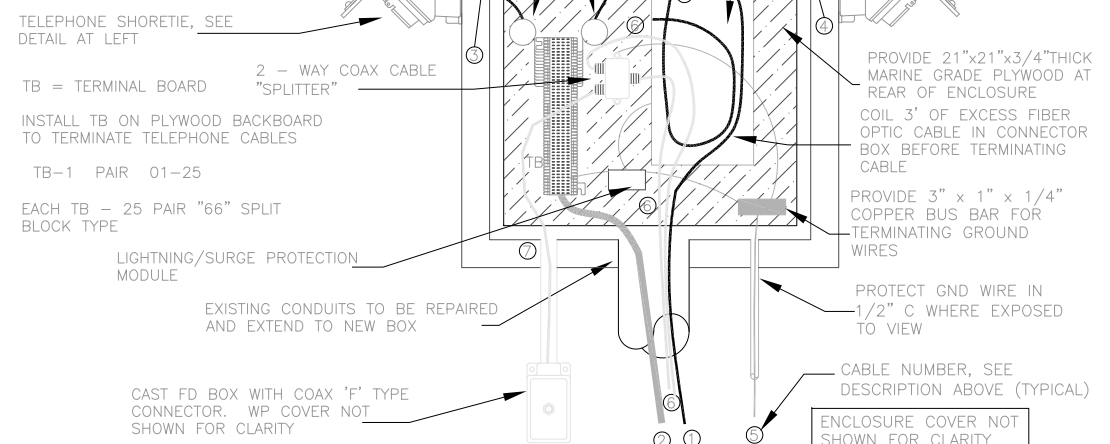
1. NEW TELEPHONE BOX ARE REQUIRED AT PIER ECHO NORTH, ECHO SOUTH AND ALPHA.
2. CONDUIT, COAXIAL CABLE AND TELEPHONE WIRE ARE EXISTING. REWORK CONDUIT AND EXTEND TO NEW TEL BOX.
3. CONTRACTOR SHALL USE THIS DRAWING AS REFERENCE TO RE-WIRE TEL BOX. ALL COMPONENTS SHOWN ARE EXISTING TO BE REUSE EXCEPT THE ENCLOSURE.



TEL BOX FRONT VIEW

SCALE:AS SHOWN

CABLE NUM	CABLE DESCRIPTION
①	FIBER OPTIC CABLE TO ENCLOSURE (EXISTING)
②	25 PAIR TELE CABLE TO ENCLOSURE FROM MANHOLE (EXISTING)
③	6 PAIR TELE CABLE TO SHORE TIE FROM TB
④	6 PAIR TELE CABLE TO SHORE TIE FROM TB
⑤	#6 AWG COPPER GROUND WIRE (EXISTING)
⑥	RG-6 COAX CABLE FROM PULLBOX TO SPLITTER (EXISTING)
⑦	RG-6 COAX CABLE FROM SPLITTER TO 'F' TYPE CONNECTOR



TELEPHONE ENCLOSURE

SCALE:AS SHOWN

CONSULTANTS

U. S. COAST GUARD
CIVIL ENGINEERING UNIT
MIAMI



USCG. CEU MIAMI
15608 SW 117TH AVE
MIAMI, FLORIDA 33177

ISSUE		
DT	DATE	DESCRIPTION
DT	27APR07	FINAL SUBMITTAL
DT	08MAR07	95% REVIEW

A/E PROJECT NO:		
CAD FILE NAME: M1314E06.DWG		
DESIGNED BY: DT		
DRAWN BY: DT		
EDITED BY: DT		
CHECKED BY: DT		

SCALE:AS SHOWN PLOT SCALE:1:1

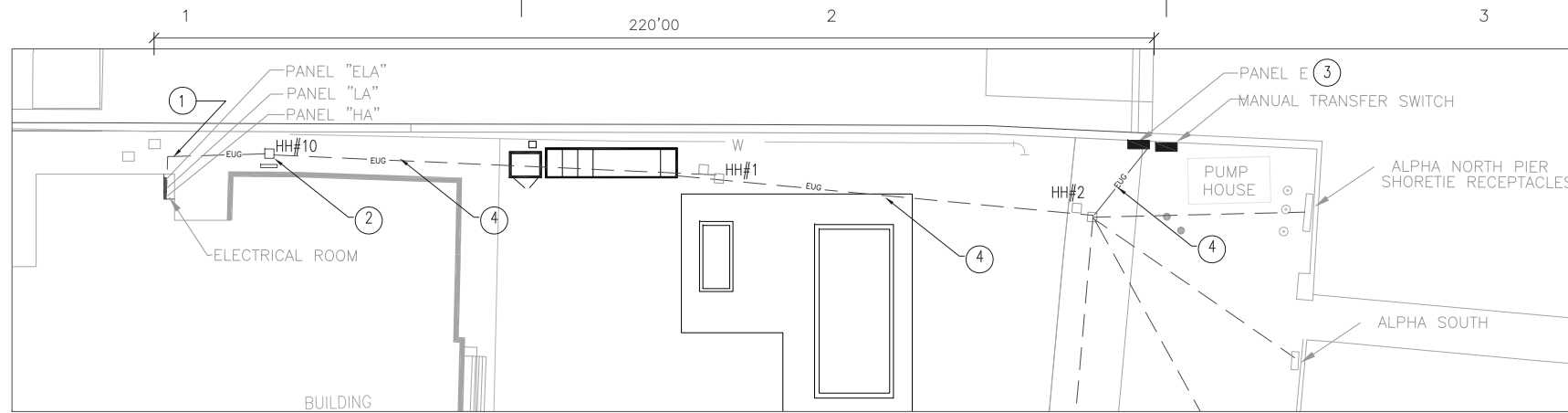
SHEET TITLE

ELECTRICAL SHORETIES UPGRADE
U.S.C.G. BASE SAN JUAN
SAN JUAN PUERTO RICO

TELEPHONE
DETAILS

REVIEWED BY:	REVIEWED BY:	REVIEWED BY:
PROJECT ENG.	BRANCH CHIEF	TECH. DIRECTOR
APPROVING OFFICER	DATE	

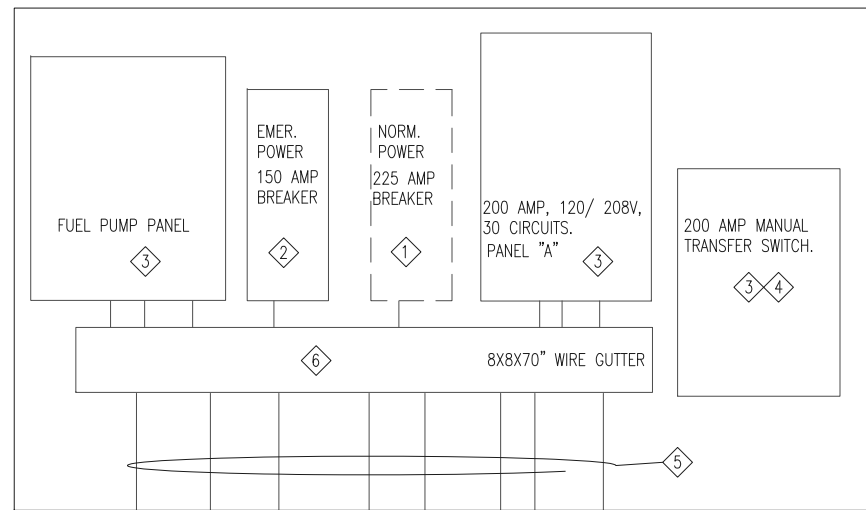
PROJECT NUMBER	DRAWING NUMBER
272861	M1314-D
DISCIPLINE/SHT NO	SHEET 11 OF 12
E-11	



PARTIAL SITE PLAN
SCALE: NTS

PARTIAL SITE PLAN KEYED NOTES

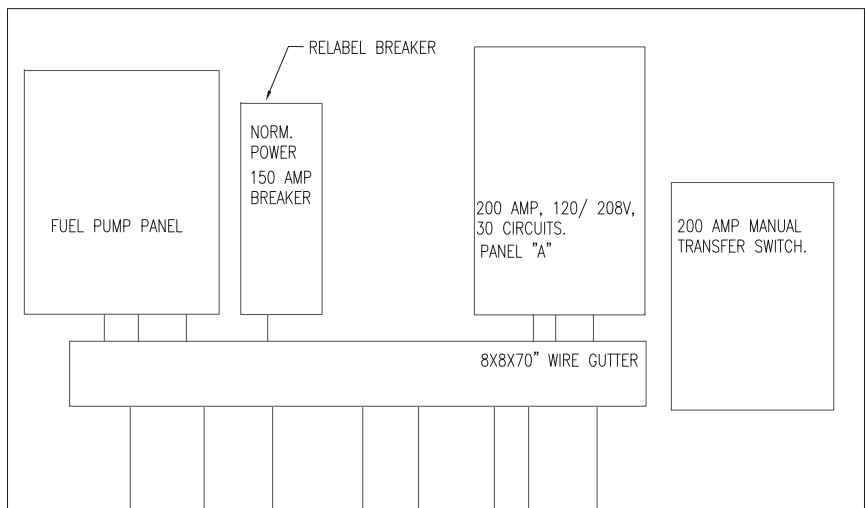
- ① 4-4" (2 SPARE) FROM HANDHOLE #10 TO ELECTRICAL ROOM.
- ② EXISTING HANDHOLE. EXISTING 3 #2 FEED TRANSFER SWITCH ARE TERMINATE IN THIS HANHOLE. REMOVE CONDUCTORS.
- ③ PANEL "E" LOCATION. REMOVE EXISTING FEEDER OF PANEL "E" BACK TO SPLICES IN HANDHOLE #6 . EXISTING FEEDER 400 AMP DISCONNECT SWITCH IS LOCATED INSIDE COMPRESSOR BUIDING AND THIS CIRCUIT FEEDS WELDING SHOP, PANEL "A" AT PIER ALPHA AND PANEL "E". CIRCUIT TO PANEL "E" IS SPLICED IN THE HANHOLE APP 50' FROM BUILDING, CONTRACTOR SHALL VERIFY PRIOR DEMOLITION.
- ④ EXISTING 4" UNDERGROUND CONDUIT. PULL NEW 4 # 2/ 0 IN EXISTING CONDUIT FROM PANEL "E" TO ELECTRICAL ROOM. SEE RISER DIAGRAM



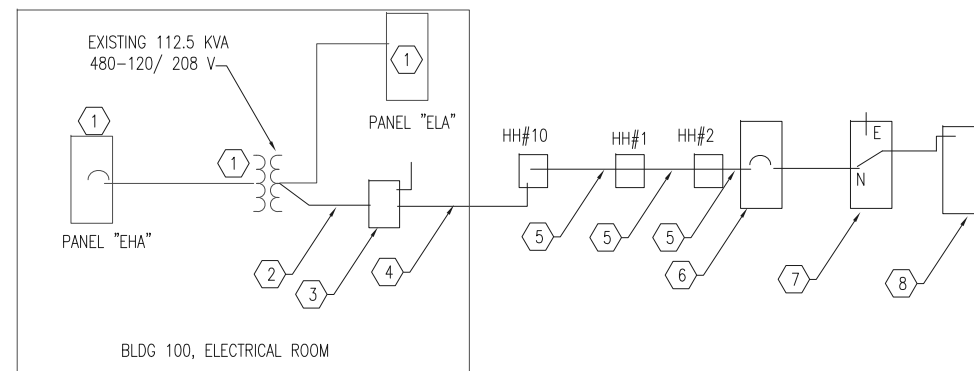
DEMO- EXISTING PANEL "E" FEEDER
SCALE: 1" = 1'-0"

DEMO KEYED NOTES

- ① REMOVE BREAKER AND CONDUCTOR BACK TO SPLICES INSIDE HH#6 (VERIFY)
- ② REPLACE ENCLOSURE OF BREAKER. NEW ENCLOSURE SHALL BE NEMA 4X STAINLESS STEEL. REMOVE EXISTING FEEDER WHICH IS TERMINATED INSIDE HH#10. REWIRE PER NEW RISER DIAGRAM
- ③ TO REMAIN.
- ④ REMOVE NORMAL FEED FROM 225 AMP BREAKER. REWIRE PER NEW RISER DIAGRAM
- ⑤ VARIOUS SIZE OF CONDUITS. FROM 3 /4" TO 4" TO REMAIN.
- ⑥ EXISTING WIRE GUTTER AT 32" ABOVE GROUND. TO REMAIN.



NEW -PANEL "E" FEEDER
SCALE: 1" = 1'-0"



NEW RISER DIAGRAM - PANEL "E" FEEDER
SCALE: NTS

NEW WORK KEYED NOTES

- ① EXISTING PANEL AND TRANSFORMER LOCATE IN ELECTRICAL ROOM.
- ② 4 #2 /0 IN 2" EMT. TAP TO SECONDARY LUGS OF EXISTING TRANSFORMER. TRANSFORMER IS SUSPENDED INSIDE ELECTRICAL ROOM.
- ③ 150 AMP ENCLOSED BREAKER. LABEL BREAKER "PANEL "E" FEEDER". MOUNT BREAKER ON INTERIOR WALL OF ELECTRICAL ROOM.
- ④ NEW 4 #2 /0 IN 2" C TO EXISTING WIRE GUTTER INSIDE ELECTRICAL ROOM AND RUN NEW CONDUCTORS IN EXISTING 4" SPARE CONDUIT TO HANDHOLE #10
- ⑤ 3 # 2/ 0 AND NEW #2/ 0 INSULATED NEUTRAL IN EXISTING 4" UNDERGROUND CONDUIT.
- ⑥ EXISTING 150 AMP BREAKER IN NEW NEMA 4X ENCLOSURE. RELABEL NORMAL SOURCE.
- ⑦ EXISTING 200 AMP MANUAL TRANSFER SWITCH. RUN CONDUCTORS IN EXISTING CONDUIT.
- ⑧ EXISTING 200 AMP PANEL. PANEL SHALL BE GROUNDED TO EXISTING GROUNDING ROD.

CONSULTANTS

U. S. COAST GUARD
CIVIL ENGINEERING UNIT
MIAMI



USCG. CEU MIAMI
15608 SW 117TH AVE
MIAMI, FL 33177

ISSUE		
DT	DATE	DESCRIPTION
DT	27APR07	FINAL SUBMITTAL
DT	08MAR07	95% REVIEW

A/E PROJECT NO:		
CAD FILE NAME: M1314E06.DWG		
DESIGNED BY: DT		
DRAWN BY: DT		
EDITED BY: DT		
CHECKED BY: DT		

SCALE: AS SHOWN PLOT SCALE: 1:1

SHEET TITLE		
ELECTRICAL SHORETIES UPGRADE		
U.S.C.G. BASE SAN JUAN		
SAN JUAN	PUERTO RICO	
PANEL "E" ELECTRICAL		
NEW PANEL "E" FEEDER		

REVIEWED BY:	REVIEWED BY:	REVIEWED BY:
PROJECT ENG.	BRANCH CHIEF	TECH. DIRECTOR
APPROVING OFFICER		DATE

PROJECT NUMBER	DRAWING NUMBER
272861	M1314-D
DISCIPLINE/SHT NO	SHEET 12 OF 12
E-12	