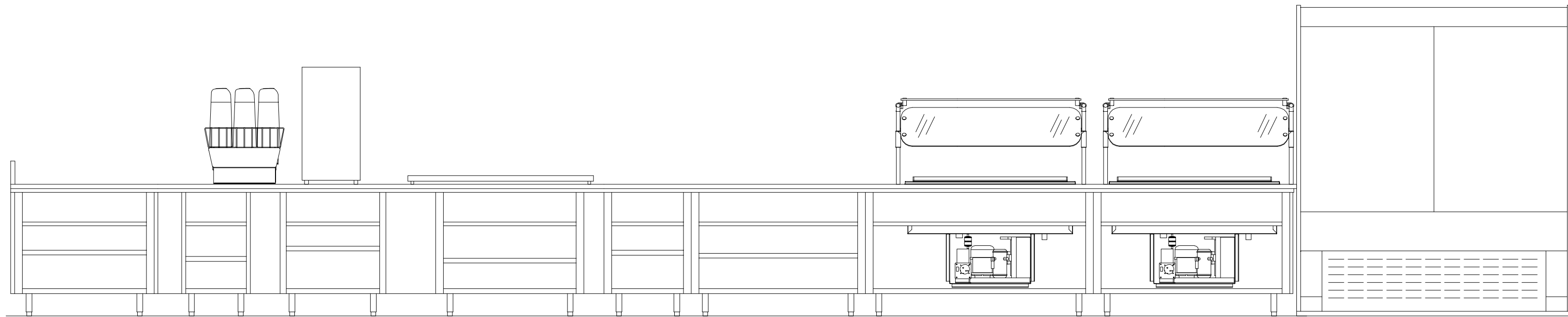
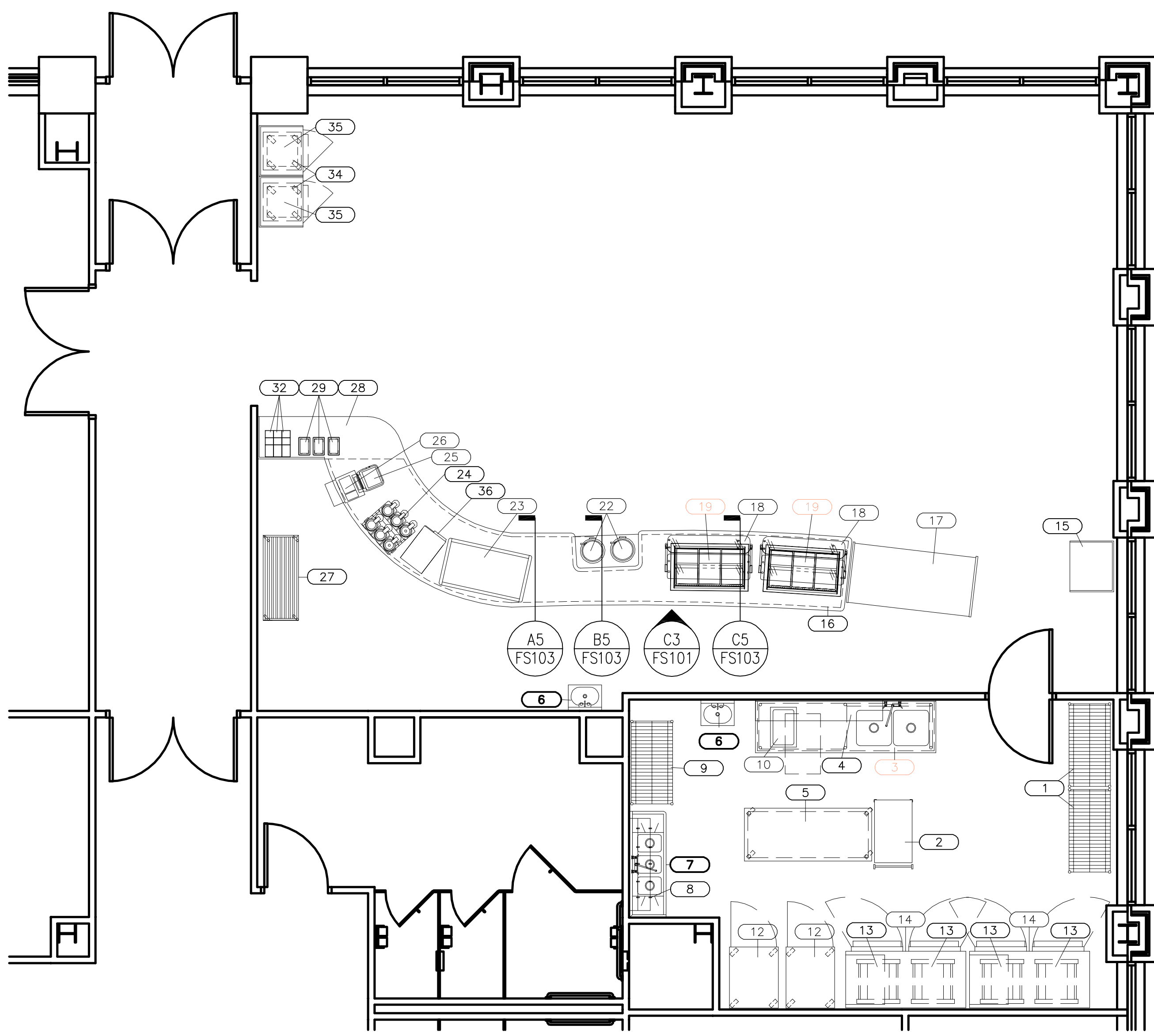


REVDATE FILE NAME: P:\DOD\NAVFAC\WORKING\031228_16_HQ_SACT_BLDG_NH-311_ADDITION\Submittals\031222_Reviewed\Final\Submittal\Navfac\Files\CAD\Files\Food_Serv\BLDGNH31-518388-FS101.dwg LAYOUT NAME: FS101 FLIGHTED: Friday, December 12, 2008 - 9:13am



MILLWORK COUNTER - REAR ELEVATION
1:10 FS101 C3



NH-31B - FOOD SERVICE EQUIPMENT PLAN
1:50



FOOD SERVICE ABBREVIATIONS

ADJ	ADJUSTABLE	G	GAS	PERF	PERFORATE(D)
AFF	ABOVE FINISHED FLOOR	GA	GAUGE	PH	PHASE
ALT	ALTERNATE	GAL	GALLON	PLAM	PLASTIC LAMINATE
ALUM	ALUMINUM	GALV	GALVANIZED	PLUMB	PLUMBING
AMP	AMPERE	GC	GENERAL CONTRACTOR	PLYWD	PLYWOOD
		GPM	GALLONS PER MINUTE	PNL	PANEL
BLDG	BUILDING	HGT	HEIGHT	PREP	PREPARATION
BTU	BRITISH THERMAL UNIT	HP	HORSEPOWER	PSI	POUNDS PER SQUARE INCH
CAB	CABINET	HVAC	HEATING, VENTILATING, AIR CONDITIONING	QT	QUARRY TILE
CFM	CUBIC FEET PER MINUTE	HT	HOT WATER	QTY	QUANTITY
CL	CENTER LINE	ID	INSIDE DIAMETER	RAD	RADIUS
CLG	CEILING	IN	INCH	RECP	RECEPTACLE
CMU	CONCRETE MASONRY UNIT	INCL	INCLUDE	REFG	REFRIGERATOR
COL	COLUMN	INST	INSTALL(ATION)	REQD	REQUIRED
CONN	CONNECTION	INSUL	INSULATE(ION)	RET	RETURN
C&P	CORD AND PLUG	INT	INTERIOR	RM	ROOM
CU FT	CUBIC FEET	JAN	JANITOR	RO	ROUGH OPENING
CW	COLD WATER	JB	JUNCTION BOX	SAN	SANITARY
DFA	DOWN FROM ABOVE	JC	JANITOR'S CLOSET	SCH	SCHEDULE
DIAM	DIAMETER	KTN	KITCHEN	SHLVG	SHELVING
DIM	DIMENSION	KW	KILOWATT HOUR	SHT	SHEET
DISP	DISPENSER	LAM	LAMINATE	SP	STATIC PRESSURE
DIV	DIVISION	LBS	POUNDS	SPEC	SPECIFICATION
DN	DOWN	LKR	LOCKER	SQ	SQAURE
DTL	DETAIL	LT	LIGHT	SS	STAINLESS STEEL
DWG	DRAWING	LVR	LOUVER	STD	STANDARD
DWR	DRAWER	MAX	MAXIMUM	STL	STEEL
EA	EACH	MBTUH	1000 BTU/HOUR	STOR	STORAGE
EL	ELEVATION	MECH	MECHANICAL	SUP	SUPPLY
ELEC	ELECTRICAL	MIN	MINIMUM	TEL	TELEPHONE
EQ	EQUAL	MISC	MISCELLANEOUS	TV	TELEVISION
EQUIP	EQUIPMENT	MTD	MOUNTED	TYP	TYPICAL
ETR	EQUIPMENT TO REMAIN	MTL	METAL	UNFIN	UNFINISHED
EXH	EXHAUST	MUL	MULLION	VAC	VACUUM
EXIST	EXISTING	NA	NOT APPLICABLE	VERT	VERTICAL
EXT	EXTERIOR	NIC	NOT IN CONTRACT	W/	WITH
FD	FLOOR DRAIN	NO.	NUMBER	WH	WATER HEATER
FEC	FIRE EXTINGUISHER CABINET	NS	NO SCALE	WL	WALL
FF	FINISHED FLOOR	OC	ON CENTER	W/O	WITHOUT
FIN	FINISH(ED)	OD	OUTSIDE DIAMETER	WT	WEIGHT
FIX	FIXTURE	OFF	OFFICE		
FLSHG	FLASHING	OH	OVERHEAD		
FLR	FLOOR	OPNG	OPENING		
FLUR	FLUORESCENT	OPP	OPPOSITE		
FRZ	FREEZER	OPP H	OPPOSITE HAND		
FT	FOOT				
FURN	FURNITURE				

EQUIPMENT SCHEDULE

ITEM	QTY	DESCRIPTION
1	LOT	DRY STORAGE SHELVING
2	1	PORTABLE UTILITY CART
3	1	PREP TABLE WITH SINKS
4	1	DOUBLE OVERSHELF
5	1	PORTABLE WORKTABLE
6	2	HAND SINK
7	1	3-COMPARTMENT SINK
8	1	POT RACK
9	1	SMALLWARE STORAGE SHELVING
10	1	SOUP WARMER
11	-	SPARE NUMBER
12	2	PORTABLE HEATED HOLDING CABINET
13	4	PORTABLE ROLL-IN RACK
14	2	ROLL-IN REFRIGERATOR
15	1	MILLWORK TRAY STAND
16	1	MILLWORK FOOD COUNTER
17	1	AIR CURTAIN REFRIGERATED DISPLAY
18	2	FOOD SHIELD WITH LIGHTS
19	2	COLD FOOD DISPLAY
20	-	SPARE NUMBER
21	-	SPARE NUMBER
22	2	SOUP WARMER/SERVER
23	1	TWO-TIER HOT FOOD DISPLAY
24	-	AIR POT STAND - VENDOR FURNISHED
25	-	FOOD SCALE - OWNER FURNISHED
26	-	COMPUTER/POS SYSTEM - OWNER FURNISHED
27	1	PORTABLE MERCHANDISER CART
28	1	CONDIMENT STAND
29	3	SELF-LEVELING NAPKIN DISPENSER
30	-	SPARE NUMBER
31	-	SPARE NUMBER
32	3	PC PACK CONDIMENT DISPENSER
33	-	SPARE NUMBER
34	2	MILLWORK TRAY DROP WITH TRASH RECEPTACLE
35	-	PORTABLE TRASH RECEPTACLE - OWNER FURNISHED
36	1	COFFEE CUP AND LID DISPENSER



DATE: 12/12/08

COMMISSION OF THE COMMONWEALTH OF VIRGINIA
 JOSEPH D. BOVBE
 LIC. NO. 008802
 2-04-11
 ARCHITECT

SUBMITTED BY: Joseph D. Bovbe
 FIRM MEMBER: DATE: 2.04.11

ACTIVITY - SATISFACTORY TO DATE

FOR COMMANDER NAVFAC DATE

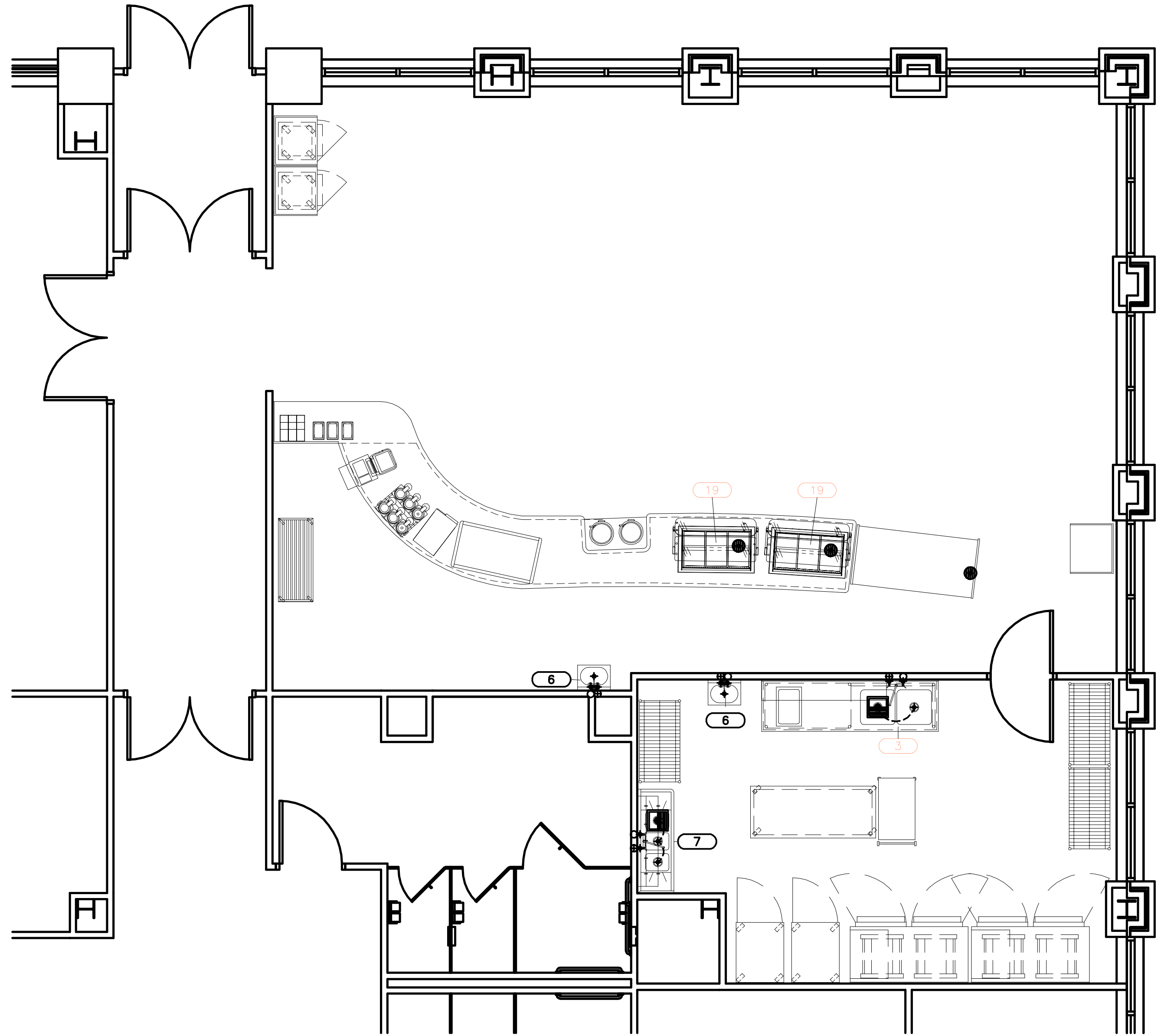
DES: HBA DR: TE
 CHK: JJB QC: LW

DESIGNER: REVIEWED BY: QC: DESIGN MANAGER: FIRE PROTECTION: BRANCH MANAGER: ENGINEERING DIR:

DEPARTMENT OF THE NAVY
 NAVAL FACILITIES ENGINEERING COMMAND ~ MID-ATLANTIC
 NAVAL STATION - NORFOLK, VIRGINIA
 NAVAL SUPPORT ACTIVITY
 NORFOLK, VIRGINIA
 ADDITIONS TO HEADQUARTERS, SUPREME ALLIED COMMANDER TRANSFORMATION (SACT)
 FOOD SERVICE EQUIPMENT PLAN

CODE ID NO. 80091 SIZE 0
 SCALE: GRAPHIC
 MAXIMO NO. K44YX
 JOB ORDER NO. 9A6200
 WORK ORDER NO. 518388
 CONSTR. CONTR. NO. N40085-06-R-6104
 NAVFAC DRAWING NO. 12515250
 SHEET 257 OF 509
 FS101
 DRAWFORM REVISION: 01 AUGUST 2004

REVDATE: FILE NAME: P:\DOD\NAVFAC\JANT\03128_16_HQ_SACT_BLDG_NH--3\ADDITON\Submittals\081212 Revised Final Submittal\Notice Files\CAD Files\Food Ser\BLDGNH31--518388-FS102.dwg LAYOUT NAME: FS102 PLOTTED: Friday, December 12, 2008 - 9:12am



NH-31B - FOOD SERVICE PLUMBING ROUGH-IN
1:50

ITEM	QTY	DESCRIPTION	PLUMBING ROUGH-IN SCHEDULE										REMARKS
			SUPPLY					WASTE					
			HW	CW	WL	FLR	DFA	HGT AFF	INDIRECT	DIRECT	HGT AFF		
3	1	PREP TABLE WITH SINKS	15	15	X	-	-	300	(2)50	-	-	-	NOTE 1
6	2	HAND SINK	15	15	X	-	-	450	-	50	16	NOTE 1	
7	1	3-COMPARTMENT SINK	15	15	X	-	-	300	(3)50	-	-	NOTE 1	
17	1	AIR CURTAIN REFRIGERATED DISPLAY	-	-	-	-	-	-	25	-	-	-	
19	2	COLD FOOD DISPLAY	-	-	-	-	-	-	25	-	-	-	

- GENERAL NOTES:**
1. PLUMBING CONNECTIONS NOT INDICATED FOR ITEMS WITHOUT KITCHEN EQUIPMENT ITEM NUMBER
 2. FLOOR DRAINS ARE INDICATED FOR KITCHEN EQUIPMENT ITEMS ONLY, ADDITIONAL DRAINS MAY BE REQUIRED UNDER DIVISION 15
 3. ROUGH-IN HEIGHT BENEATH CABINET BASES IS INDICATED TO CLEAR BASE, FINAL CONNECTION IS GENERALLY ABOVE AND WITHIN THE BODY
 4. SUPPORT ALL SUPPLIES AND DRAINS TIGHT AGAINST BOTTOMS OF EQUIPMENT TO CLEAR FLOOR FOR CLEANING
 5. FURNISH ALL CODE REQUIRED VACUUM BREAKERS UNDER DIVISION 15
 6. ALL PLUMBING ROUGH-INS SHALL BE COORDINATED WITH FLOOR FINISH ONCE SELECTED BY OWNER

SCHEDULE REMARKS:
NOTE 1: CONNECT SECTION 11400 FURNISHED FAUCET(S) AND EXTEND DRAIN(S) TO FLOOR SINK (DRAIN) UNDER DIVISION 15



PLUMBING LEGEND AND NOTES

- COLD WATER
- HOT WATER
- ⊕ POINT OF CONNECTION
- DIRECT WASTE
- FLOOR DRAIN
- FLOOR RECEPTOR

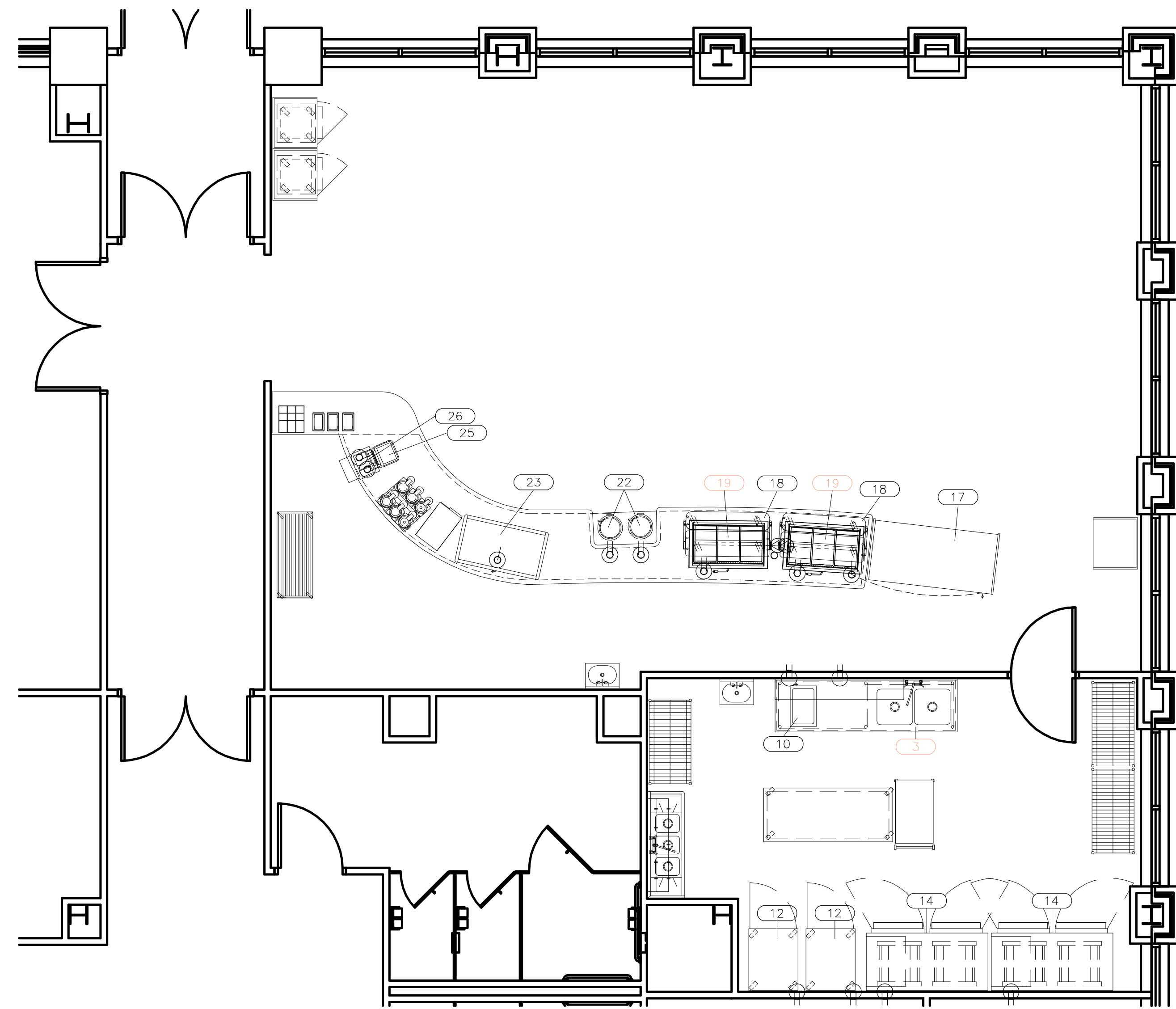
DEPRESS PLUMBING DEVICE 1cm PER 10cm INDICATED BELOW FINISHED FLOOR; WARP FLOOR AS INDICATED FROM FINISHED FLOOR TO PLUMBING DEVICE

WL - WALL
 FL - FLOOR
 DFA - DOWN FROM ABOVE
 HGT AFF - HEIGHT IN MILLIMETERS TO CENTERLINE OF ROUGH-IN



  SUBMITTED BY: <i>Joseph D. Bovee</i> FIRM MEMBER: _____ DATE: 2.04.11 APPROVED: _____ ACTIVITY - SATISFACTORY TO: _____ DATE: _____ FOR COMMANDER NAVFAC: _____ DATE: _____ DES: HBT DR: TWH CHK: JBH OC: LW DESIGNER: _____ REVIEWED BY: _____ QC: _____ DESIGN MANAGER: _____ FIRE PROTECTION: _____ BRANCH MANAGER: _____ ENGINEERING DIR: _____	DEPARTMENT OF THE NAVY NAVFACILITIES ENGINEERING COMMAND - MID-ATLANTIC HAMPTON ROADS IPT NAVAL STATION - NORFOLK, VIRGINIA NAVAL SUPPORT ACTIVITY NORFOLK, VIRGINIA ADDITIONS TO HEADQUARTERS, SUPREME ALLIED COMMANDER TRANSFORMATION (SACT) FOOD SERVICE PLUMBING ROUGH-IN PLAN
CODE ID NO. 80091 SIZE 0 SCALE: GRAPHIC MAXIMO NO. K44YX JOB ORDER NO. 9A6200 WORK ORDER NO. 518388 CONSTR. CONTR. NO. N40085-06-R-6104 NAVFAC DRAWING NO. 12515251 SHEET 258 OF 509 FS102 <small>DRAWFORM REVISION: 01 AUGUST 2004</small>	





NH-31B - FOOD SERVICE ELECTRICAL ROUGH-IN

1:50



ITEM	QTY	DESCRIPTION	VOLT	PHASE	KW	AMP	CONN	SUGGESTED ROUTING				REMARKS
								WL	FLR	DFA	HGT	
3	1	PREP TABLE WITH SINKS	115	1	-	16	RECP	X	-	-	1350	NEMA 5-20R DUPLEX, CONVENIENCE
10	1	SOUP WARMER	115	1	1.8	15	C&P	X	-	-	1350	NEMA 5-20P
12	2	PORTABLE HEATED HOLDING CABINET	115	1	2.2	19.3	C&P	X	-	-	1200	NEMA 5-20P
14	2	ROLL-IN REFRIGERATOR	115	1	-	11.4	C&P	X	-	-	2200	NEMA 5-15P
17	1	AIR CURTAIN REFRIGERATED DISPLAY	115/208	1	-	23	C&P	-	X	-	125	NEMA 14-30P
18	2	FOOD SHIELD WITH LIGHTS	115	1	-	12	J-BOX	-	X	-	750	NOTE 1
19	2	COLD FOOD DISPLAY	115	1	-	10	C&P	-	X	-	125	NEMA 5-15P
22	2	SOUP WARMER/SERVER	115	1	1.5	12.5	C&P	-	X	-	125	NEMA 5-15P
23	1	TWO-TIER HOT FOOD DISPLAY	115/208	1	3.8	16	C&P	-	X	-	125	NEMA 14-20P
25	-	FOOD SCALE - OWNER FURNISHED	115	1	-	8	C&P	-	X	-	125	NEMA 5-15P, VERIFY FROM OWNER
26	-	COMPUTER/POS SYSTEM - OWNER FURNISHED	115	1	-	16	C&P	-	X	-	125	NOTE 2, NEMA 5-20R COMPUTER RECEPTACLE REQUIRED

GENERAL NOTES:

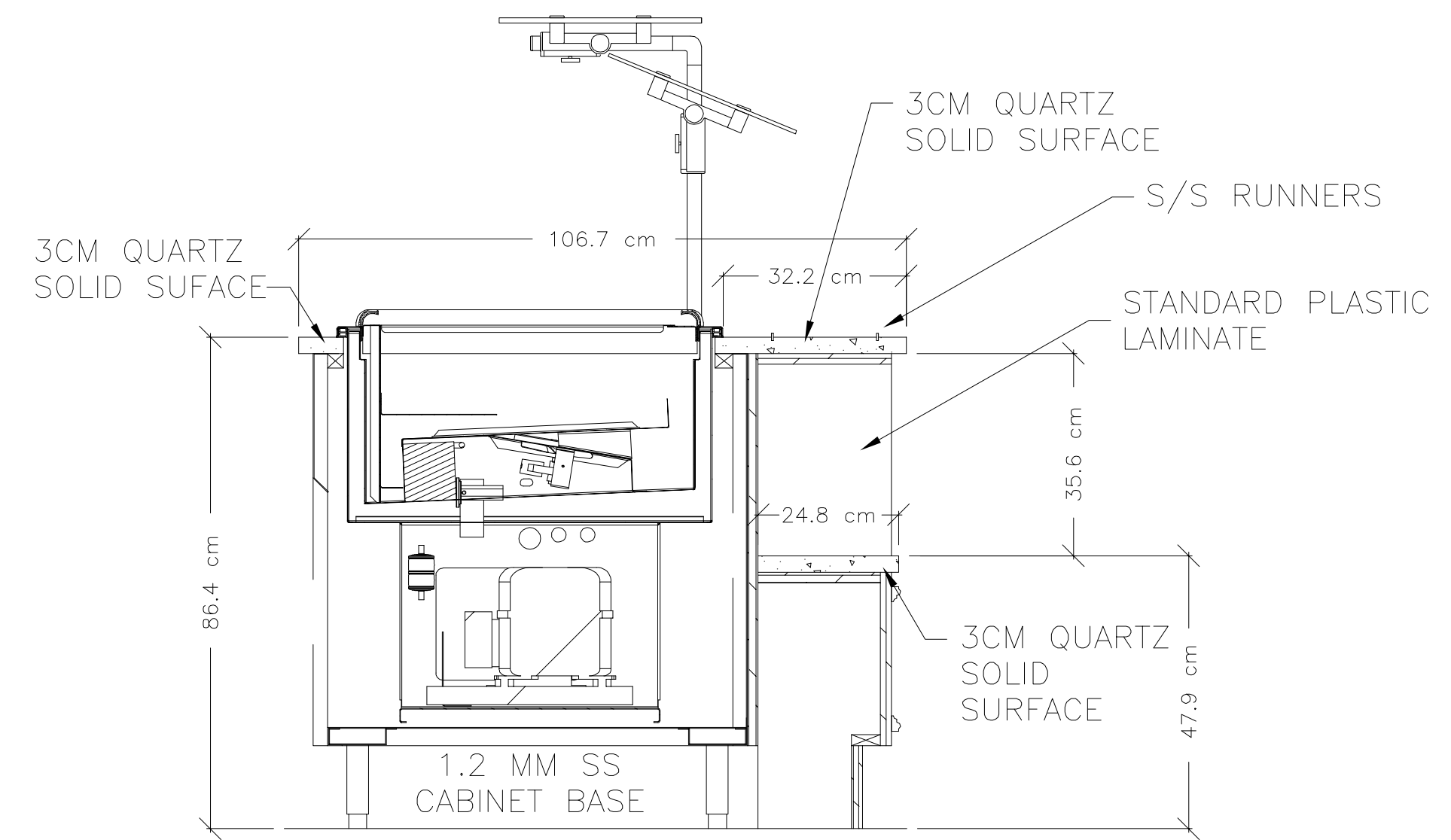
- ELECTRICAL CONNECTIONS NOT INDICATED FOR ITEMS WITHOUT KITCHEN EQUIPMENT ITEM NUMBER
- PROVIDE LARGE CLOCKS WITH SECOND HAND VISIBLE FROM PREP, HAND WASHING AND POT WASHING LOCATIONS

SCHEDULE REMARKS:

- NOTE 1: PROVIDE CIRCUIT IN LIQUID TIGHT CONDUIT TO APPLIANCE UNDER DIVISION 16
 NOTE 2: PROVIDE EMPTY CONDUIT TO MANAGER'S OFFICE FOR DATA LINK

ELECTRICAL LEGEND

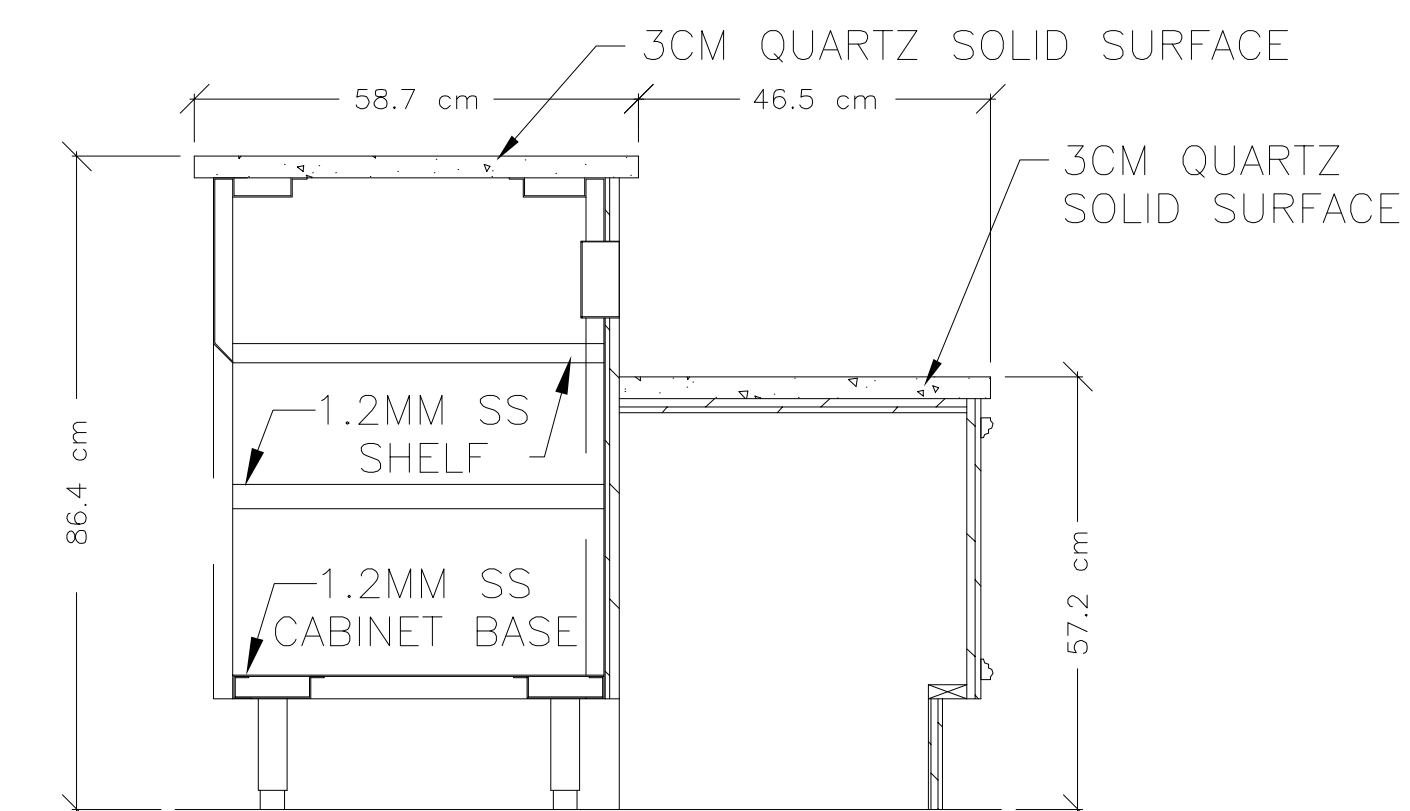
- - SINGLE RECEPTACLE (PROVIDE GFCI BREAKER, NEMA 5-15R AND NEMA 5-20R ONLY)
- ⊕ - GFCI DUPLEX RECEPTACLE
- - JUNCTION BOX IN WALL
- - ROUGH-IN FROM FLOOR OR ABOVE
- ⊕ - POINT OF CONNECTION ON EQUIPMENT
- ⊞ - SWITCH
- C&P - CORD AND PLUG
- WL - WALL
- FL - FLOOR
- DFA - DOWN FROM ABOVE
- HGT AFF - HEIGHT IN MILLIMETERS TO CENTERLINE OF ROUGH-IN



SECTION THROUGH MILLWORK COUNTER C5

1:10

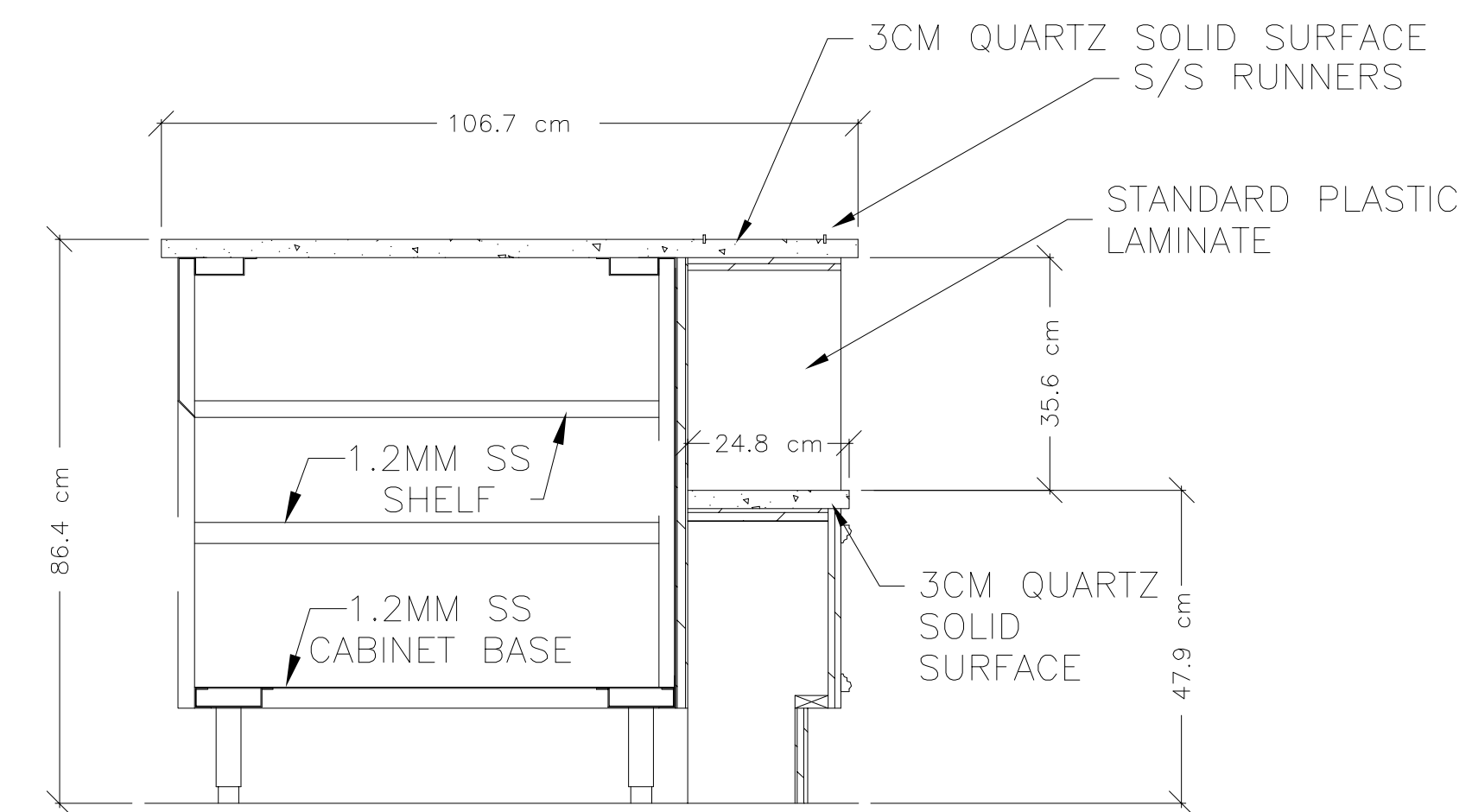
FS101



SECTION THROUGH MILLWORK COUNTER B5

1:10

FS101



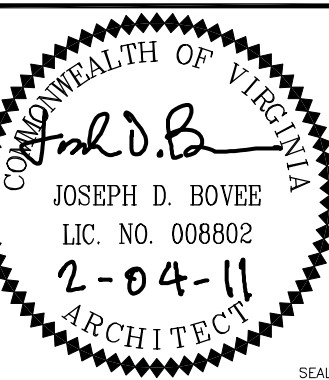
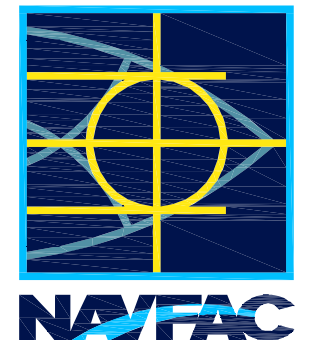
SECTION THROUGH MILLWORK COUNTER A5

1:10

FS101



NO.	DATE	DESCRIPTION



SUBMITTED BY: Joseph D. Bovee
 FIRM MEMBER: DATE: 2.04.11

APPROVED: _____
 ACTIVITY - SATISFACTORY TO: _____
 DATE: _____

FOR COMMANDER NAVFAC: _____
 DATE: _____

DES: HBA DR: TE
 CHK: JB OC: LW

DESIGNER: _____
 REVIEWED BY: _____
 QC: _____

DESIGN MANAGER: _____
 FIRE PROTECTION: _____
 BRANCH MANAGER: _____
 ENGINEERING DIR: _____

DEPARTMENT OF THE NAVY
 NAVAL FACILITIES ENGINEERING COMMAND - MID-ATLANTIC
 NAVAL STATION - NORFOLK, VIRGINIA
 NORFOLK, VIRGINIA
 NAVAL SUPPORT ACTIVITY
 ADDITIONS TO HEADQUARTERS, SUPREME ALLIED COMMANDER TRANSFORMATION (SACT)
 FOOD SERVICE ELECTRICAL ROUGH-IN PLAN

CODE ID NO. 80091 SIZE 0
 SCALE: GRAPHIC
 MAXIMO NO. K44YX
 JOB ORDER NO. 9A6200
 WORK ORDER NO. 518388
 CONSTR. CONTR. NO. N40085-06-R-6104
 NAVFAC DRAWING NO. 12515252
 SHEET 259 OF 509
FS103



REVDATE: FILE NAME: P:\DOD\NAVFAC\JANT\03128_16_HO_SACT_BLDG_NH-31_ADDITION\Submittals\03128_16_HO_SACT_BLDG_NH-31_Revision Final Submittal\Notice Files\CAD Files\Food Ser\BLDGNH31-518388-FS103.dwg LAYOUT NAME: FS103 PLOTTED: Friday, December 12, 2008 - 9:13am