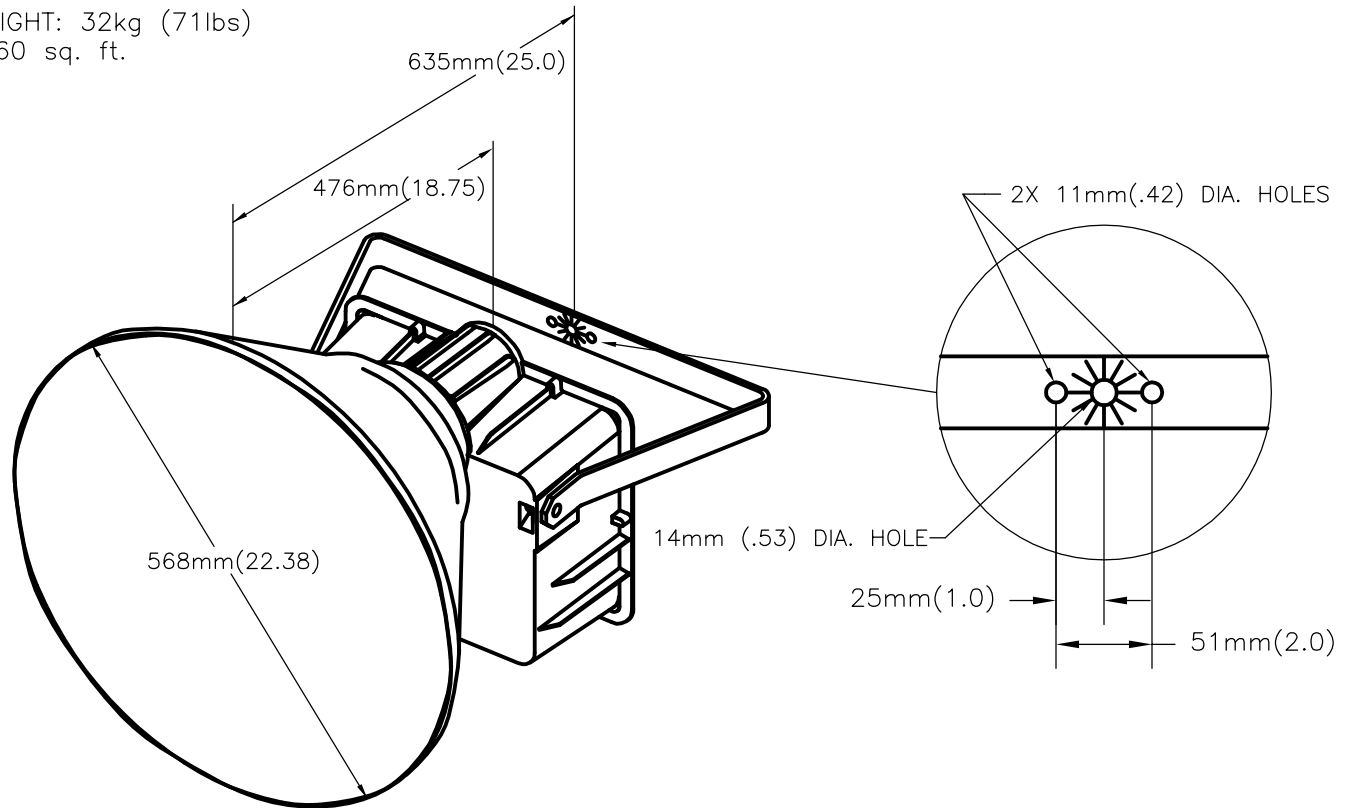


UL LISTED TO US AND
CANADIAN SAFETY STANDARDS

PRISMBEAM® II SERIES LUMINAIRE

MAX WEIGHT: 32kg (71lbs)
EPA: 3.60 sq. ft.



PB2

PRISMBEAM II

SOURCE & WATTAGE

- 400HP=400W HIGH PRESSURE SODIUM
- 750HP=750W HIGH PRESSURE SODIUM
- C10HP=1000W HIGH PRESSURE SODIUM
- C10MH=1000W METAL HALIDE
- C15MH=1500W METAL HALIDE
- C16MH=1600W METAL HALIDE

VOLTAGE

- 12 = 120V
- 20 = 208V
- 24 = 240V
- 27 = 277V
- 34 = 347V
- NOT WITH 750HP
- 48 = 480V
- MT = MULTITAP

NEMA BEAM SPREAD

- | | | | |
|--------|------------------------------------|--------|------------------------------------|
| 400HP: | <input type="checkbox"/> 22W = 2X2 | C15MH: | <input type="checkbox"/> 33N = 3X3 |
| | <input type="checkbox"/> 33N = 3X3 | | <input type="checkbox"/> 33W = 3X3 |
| | <input type="checkbox"/> 44N = 4X4 | | <input type="checkbox"/> 44W = 4X4 |
| | <input type="checkbox"/> 53W = 5X3 | | <input type="checkbox"/> 64N = 6X4 |
| | <input type="checkbox"/> 64N = 6X4 | | <input type="checkbox"/> 64W = 6X4 |
| | <input type="checkbox"/> 65W = 6X5 | | <input type="checkbox"/> 65W = 6X5 |
| 750HP: | <input type="checkbox"/> 33N = 3X3 | C16MH: | <input type="checkbox"/> 33N = 3X3 |
| | <input type="checkbox"/> 44W = 4X4 | | <input type="checkbox"/> 33W = 3X3 |
| | <input type="checkbox"/> 64N = 6X4 | | <input type="checkbox"/> 44W = 4X4 |
| | <input type="checkbox"/> 65W = 6X5 | | <input type="checkbox"/> 64N = 6X4 |
| C10HP: | <input type="checkbox"/> 33W = 3X3 | | <input type="checkbox"/> 64W = 6X4 |
| | <input type="checkbox"/> 44N = 4X4 | | <input type="checkbox"/> 65W = 6X5 |
| | <input type="checkbox"/> 55W = 5X5 | | |
| | <input type="checkbox"/> 65W = 6X5 | | |
| | <input type="checkbox"/> 75N = 7X5 | | |
| C10MH: | <input type="checkbox"/> 33N = 3X3 | | |
| | <input type="checkbox"/> 44W = 4X4 | | |
| | <input type="checkbox"/> 44N = 4X4 | | |
| | <input type="checkbox"/> 64N = 6X4 | | |
| | <input type="checkbox"/> 65N = 6X5 | | |
| | <input type="checkbox"/> 65W = 6X5 | | |

OPTIONS:(ADD TO CATALOG NO)

- H = HEAVY DUTY COVER
- L = LOUVER (WITH 33, 44 & 55 ONLY)
- PS = PROTECTED STARTER (400HP & C10HP ONLY)

ACCESSORIES:(ORDER SEPARATELY)

- LAMP = LAMP
- 06387 = SINGLE WALL BRACKET REQUIRES MTG. BRACKET
- 08647 = PROTRACTOR
- 09128 = HORIZONTAL PROTRACTOR FOR VERTICAL YOKE MOUNT
- 08657-GR = MTG. ADAPTOR FOR 2" PIPE
- 08663-120 = MTG. ADAPTOR FOR 2" PIPE
- 08664-XXX = MTG. ADAPTOR FOR 2" PIPE
- 08775 = MTG. ADAPTOR FOR 2" PIPE W/PR
- PS-100 = REPLACEMENT PROTECTED STARTER FOR 400HP
- PS-1000 = REPLACEMENT PROTECTED STARTER FOR 1000HP
- F1 = SINGLE FUSING (120V, 240V & 277V ONLY)
- F2 = DOUBLE FUSING (208V, 240V & 480V ONLY)

ORDER NO: _____
TYPE: _____

DRAWING NO. MA-4692
CAD MODEL: PB2.DWG
DATE: 9-3-04

SHEET 1 OF 1



Meets:

FAA AC NO: 150/5345-43F
 FAA Engineering Brief No. 67
 ICAO Annex 14, 4th Edition, July 2004
 ICAO Aerodromes Design Manual, Chapter 18
 Canadian Aviation Regulation CAR 621.9
 Nachrichten für Luffahrer Teil I Langen, 6. Januar 2005
 German Air Traffic Control Notices For Pilots Part I 6, January 2005

Qualified By:

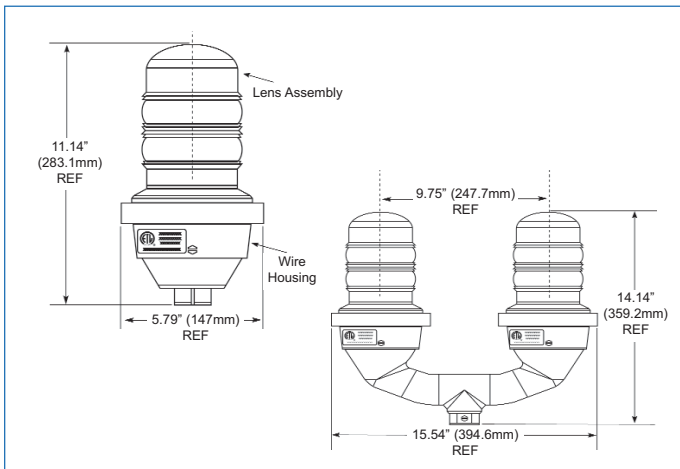
Intertek ETL
 Lighting Sciences Canada

Patents Pending

L-810 860 Series Red LED Obstruction Lights

Order codes:

860-1R01-001	Single Fixture, FAA, 120 VAC
860-1R03-001	Single Fixture, FAA, 12 VDC
860-1R04-001	Single Fixture, FAA, 48 VDC
860-1R05-001	Single Fixture, FAA, 24 VDC
860-1R02-001	Single Fixture, 230 VAC
860-3R03-001	Single Fixture, Low Wattage, 12 VDC
860-5R02-001	Single Fixture, ICAO, 230 VAC, 10 cd
860-6R01-001	Single Fixture, TC, 120 VAC
860-6R05-001	Single Fixture, TC, 24 VDC
860-1R02-001-EU	Single Fixture, European Ver, 230 VAC
860-4R02-001-EU	Single Fixture, European Ver, 230 VAC, 50cd
860-1R01-002	Dual Fixture, FAA, 120 VAC
860-1R03-002	Dual Fixture, FAA, 12 VDC
860-1R04-002	Dual Fixture, FAA, 48 VDC
860-1R05-002	Dual Fixture, FAA, 24 VDC
860-1R02-002	Dual Fixture, 230 VAC
860-3R03-002	Dual Fixture, Low Wattage, 12 VDC
860-5R02-002	Dual Fixture, ICAO, 230 VAC, 10 cd
860-6R01-002	Dual Fixture, TC, 120 VAC
860-6R05-002	Dual Fixture, TC, 24 VDC
860-7R02-002	Dual Fixture, CASA, 230 VAC, 100 cd
860-1R02-002-EU	Dual Fixture, European Ver, 230 VAC
860-4R02-002-EU	Dual Fixture, European Ver, 230 VAC, 50cd



Dimensions in Inches [mm]

Features & Benefits:

- ▷ Available as a single or dual unit
- ▷ Available in 12VDC, 24VDC, 48VDC, 120VAC, and 220VAC versions (50 or 60HZ)
- ▷ Earth grounding provisions provided
- ▷ Unique optically designed lens to enhance LED operation and provide 360° visibility
- ▷ State-of-the-art high-flux LED technology
- ▷ Lasts years longer than an incandescent
- ▷ Weather/corrosion resistant lamp assembly and housing
- ▷ Self-contained wiring compartment eliminates additional boxes
- ▷ Threaded 1" and 3/4" bottom hub for mounting
- ▷ Can be operated steady or flashed (controller not supplied)
- ▷ 5 year warranty
- ▷ Resistant to shock and vibration
- ▷ IP 65 / IP 66 / NEMA 4X rated

Application:

The Dialight 860 series is the FAA type L810 red LED obstruction light. Designed for steady burning, this fixture is used to mark any obstacle that may present hazards to aircraft navigation. The US patent office has issued patent number 6,425,678 B1 for this series.

Container Dimensions: 16.0" x 9.0" x 8.0" (Single Unit)
 406mm x 229mm x 203mm

22.0" x 17.0" x 9.0" (Dual Unit)
 559mm x 432mm x 229mm

Container Weight: 7.14lbs (Single Unit)
 16.06lbs (Dual Unit)

Supply voltage ranges: Nominal +/- 10%

Watts (Typ): 15 / 120mA (120 VAC Units)
 16 / 120mA (230 VAC Units - 60 Hz)
 16 / - (230 VAC Units - 50 Hz)
 24 / 2.0A (12 VDC Units - Standard)
 8 / .62A (12 VDC Units - Low wattage)
 20 / 920mA (24 VDC Units)
 13 / 2175mA (48 VDC Units)

Power Factor: .2 (FAA - 120 VAC Units)
 .17 (FAA - 230 VAC Units - 60 Hz)

Operating Temp: -67°F to +131°F (-55°C to +55°C)





Prismbeam® II

The Prismbeam II floodlight is a versatile luminaire that provides exceptional lighting for a variety of applications where high levels of illumination and exceptional uniformity are required, including: ports, rail yards, and sports/recreational facilities. Combining precise reflector design and the unique properties of prismatic glass, the PrismBeam II offers wide and narrow NEMA patterns for specialized illumination in all types of floodlighting venues.

Some of the benefits of the Prismbeam II floodlight include long life, ease of maintenance, low-glare, and increased uniformity and illumination. Six different wattages and 33 distribution choices allow complete design flexibility.



Rainbow Bridge; Niagara Falls, New York

Applications



Typical Applications

- Sea Ports
- Rail Yards
- Sports Complexes
- Industrial Facilities
- Intermodal Centers

Features

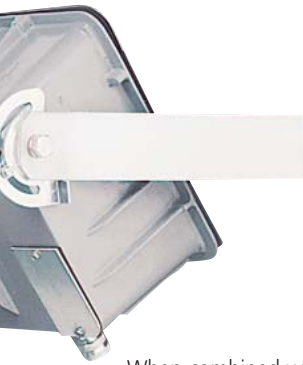
- Variety of lamps wattages
- Pole and cage packages
- Lowering device systems

Lamp Types

- 1000 - 1650 watt metal halide
- 400 - 1000 watt high pressure sodium

Approvals

- UL/CUL, wet locations



When combined with the Holophane Lowering Device, the Prismbeam II floodlight offers high performance lighting with a lowering system that reduces maintenance and relamping time. Used extensively in port facilities to illuminate wharves, the Prismbeam II floodlight is often combined with Holophane Lowering Devices and High Mast Luminaires to provide a complete solution for port applications, and rail yards.

For sports lighting applications, designers must take into consideration the speed of the sport, the age of the participants, and the level of play. The Prismbeam II floodlight can satisfy the criteria for all of these floodlighting applications.

Heavy duty die cast aluminum housings are pre-treated with a seven-stage cleaning process and finished with a baked polyester powder coat finish. The prismatic lens option delivers lower glare, shielding the lamp image from view while also increasing uniformity and vertical illumination. If it is necessary to rotate the fixture during maintenance, the mounting yoke is provided with a memory-lock protractor that returns the unit to a pre-aimed position after service. The lens/door is hinged and is secured with four stainless steel latches. The door is provided with a hollow core silicone gasket that insures weatherproof seal and less dirt deprecation to the reflector.

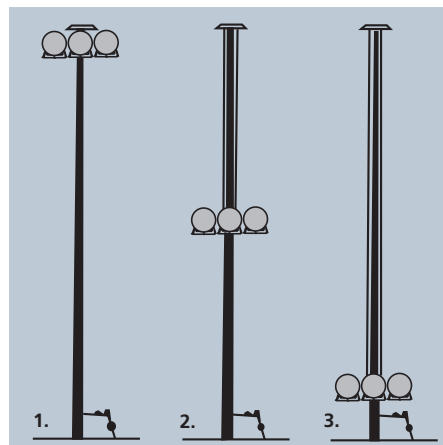


Lowering Systems

Up to 16 Prismbeam II floodlights, aimed in one or multiple directions can be mounted on a Holophane lowering device. It allows a single person to quickly bring the fixtures to ground level for low cost maintenance and testing. The top latching system protects the entire assembly from damage in high winds and storms and ensures correct aiming.

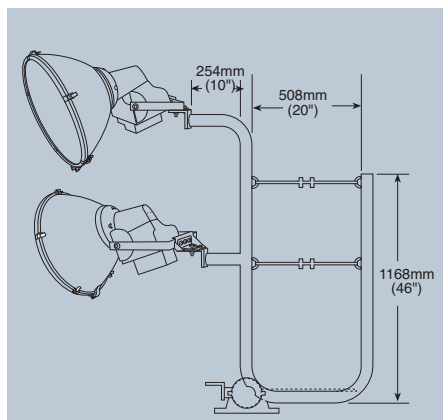
Reliable Operation

The Holophane lowering device system has a 30 year record of proven performance in over 40,000 installations worldwide. Factory installation service and assistance is available.



Standard Poles

Pole packages and arms are available in aluminum to 39', and galvanized or painted steel and concrete to 150'. Special configurations can be designed as required.



Cages and pole steps

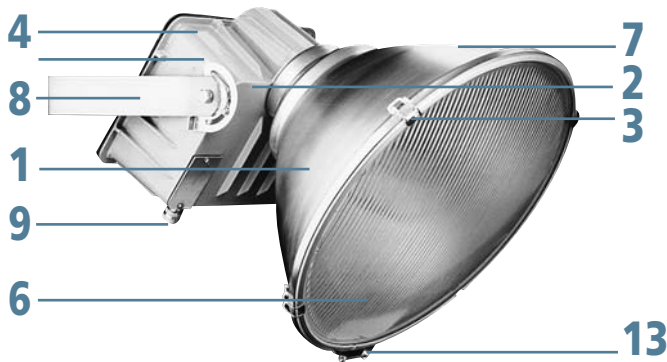
Cages, pole steps, and safety climbing devices are available for mounting single or multiple rows of fixtures to steel or concrete poles.

Design assistance

Contact your local Holophane Representative for pole and cage specifications based on number of luminaires and wind loading requirements.

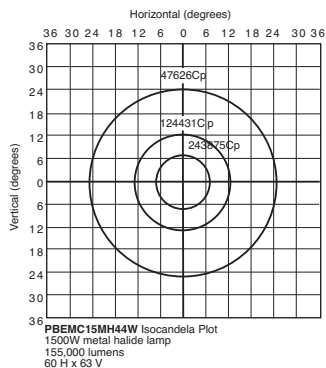
Product Features

- 1 Spun aluminum reflector
- 2 Vertical aiming protractor
- 3 Stainless steel latches
- 4 Die cast aluminum ballast housing
- 5 Horizontal aiming protractor
- 6 Prismatic or tempered glass lens
- 7 Optional heavy duty cover
- 8 Memory lock handle
- 9 Splice chamber
- 10 Aluminum door frame
- 11 Hollow core high temperature silicone gasket
- 12 Reflector rotates back for ease of relamping
- 13 Heavy duty captive hinge



Isocandela charts show beam pattern when aimed straight down

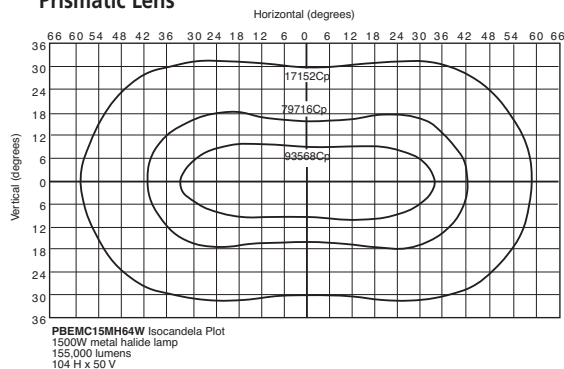
Clear Lens



Optical Control

Prismbeam II floodlights are designed using the most efficient parabolic reflector available with or without a prismatic lens. They provide unequalled visibility and viewer comfort for almost any application.

Prismatic Lens



Specifications

The Prismbeam II floodlight shall be Holophane catalog number _____. It shall consist of a single piece, die cast, aluminum housing and spun 22" aluminum reflector. All external hardware shall be stainless steel or aluminum. The housing shall include a cast-in-place splice box with its own externally accessible, gasketed cover plate. The unit shall be supplied with a threaded, water tight cord connector suitable for 90°C rated conductors having an assembled diameter ranging from 3/8" to 1/2". The mounting yoke shall be secured to the unit at its center of gravity. To withstand long term vibration, the yoke shall be made of 2 1/2" x 1/4" hot rolled steel which has been stamped with horizontal aiming angle marks and then zinc electroplated and yellow chromate finished for corrosion resistance. The unit shall have a breather to eliminate a vacuum within the optical chamber. The unit shall be UL listed and CUL listed. The fixture shall be suitable for wet locations. Four stainless steel, hand activated latches shall secure the lens to the reflector. The lens frame shall be secured to the reflector with a high temperature, hollow core durometer 60, silicone gasket. To prevent infiltration of insects and water into the optical assembly, there shall be no holes or slots in the reflector which are not gasketed. The lens shall be prismatic borosilicate glass to produce an asymmetric pattern, or clear tempered flat glass. Lamp voltage rise shall be minimized by fluting the reflector to direct reflected energy away from the arc tube of the lamp.

To minimize bright spots and harsh shadows, the maximum center beam intensity shall not exceed _____ candelas. To minimize glare and spill light, the intensity at 40° above beam center shall not exceed _____ candelas.

An optional louver shall be secured to the lens frame by the manufacturer. The louver shall be external to the reflector and hinge open with the lens.

Warranty

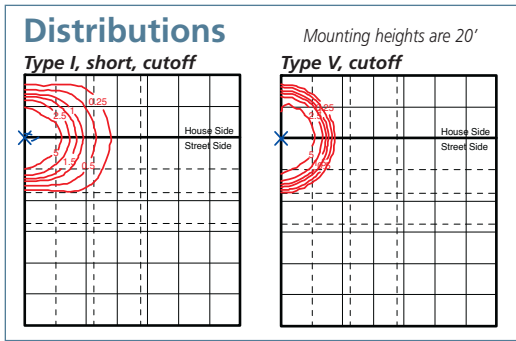
The electrical assembly shall be fully warranted for a period of 6 years and the housing for a period of 2 years from the date of manufacture.

Ordering Information

How to Construct a Catalog Number

Example:

PB2	400HP	12	22W	H	08647
1	2	3	4	5	6
LUMINAIRE	WATTAGE	VOLTAGE	BEAM SPREAD	OPTIONS	ACCESSORIES
PB2	400HP 750HP C10HP C10MH C15MH C16MH	08 12 20 24 27 34 40 48 MT	22W 33N 33W 44N 44W 53W 55N 64N 64W 65N 65W 75N	P C CL CLR	F1 F2 PS100 PS1000 06387 08647 08657-GR 08663-120-GR 08664-120-GR 08664-240-GR 08664-277-GR 08775-GR 09128



Catalog Number Information

STEP 1: LUMINAIRE

PB2 Prismbeam II

Maximum Weight: 32.2 kg., (71 lbs.)
Maximum EPA: 3.60

STEP 2: SOURCE AND WATTAGE

400HP	400W HPS
750HP	750W HPS
C10HP	1000W HPS
C10MH¹	1000W MH
C15MH¹	1500W MH
C16MH²	1650W MH

1 Socket suitable for Sport 60 lamps
2 Venture Socket Sport 60 Lamp

STEP 3: VOLTAGE

08'	208V
12	120V
20	208V
24	240V
27	277V
34	347V
40'	240V
48	480V
MT	Multi-voltage

1 Isolated Secondary C/UL

STEP 4: BEAM SPREAD

Select 3 character catalog number for desired lamp

Spread Lamp	Cat. No.	NEMA (H x V)
400W HPS	22W	2 x 2
	33N	3 x 3
	44N	4 x 4
	53W	5 x 3
	64N	6 x 4
	65W	6 x 5
750W HPS	33N	3 x 3
	44W	4 x 4
	64N	6 x 4
	65W	6 x 5
	75N	7 x 5
1000W HPS	33W	3 x 3
	44N	4 x 4
	55W	5 x 5
	65W	6 x 5
	75N	7 x 5
1000W MH	33N	3 x 3
	44N	4 x 4
	44W	4 x 4
	64N	6 x 4
	65N	6 x 5
1500MH	33N	3 x 3
	33W	3 x 3
	44W	4 x 4
	64W	6 x 4
	65W	6 x 5
1650MH	33N	3 x 3
	33W	3 x 3
	44W	4 x 4
	64W	6 x 4
	65W	6 x 5

STEP 5: OPTIONS

H Heavy Duty Cover
L Louver for "22W", "33W", "33N", "44N", and "55W" Beam Spreads only
PS Protected Starter for "400HP" and "C10HP" only

L-Circular louver

STEP 6: ACCESSORIES

Lamp Appropriate Lamp
F1 Single Fuse for 120, 240, 277 and 347 Volt Units
F2³ Double Fuse for 208, 240, and 480 Volt Units. Various Mounting Accessories are Available.
PS 100 Replacement Protected Starter (400HP only)
PS 1000 Replacement Protected Starter (1000HP only)
06387¹ Single Wall Bracket
08647 Protractor

Mounting Adapters

08657-GR For 2" Pipe
08663-120-GR² For 2" Pipe
08664-208-GR² For 2" Pipe
08664-240-GR² For 2" Pipe
08664-277-GR² For 2" Pipe
08775-GR² For 2" Pipe
09128 For Vertical Yoke

1 Requires use of 08657-GR, 08663-120-GR, 08664-208-GR, 08664-240-GR or 08664-277-GR. Order as separate accessory.
2 Not available C16MH. Not available standard for cage mounting. Photocontrol voltage must match unit voltage.
3 See price schedule or Holophane publication HL-954, "Floodlight Mounting Accessories" for complete details and ordering data.