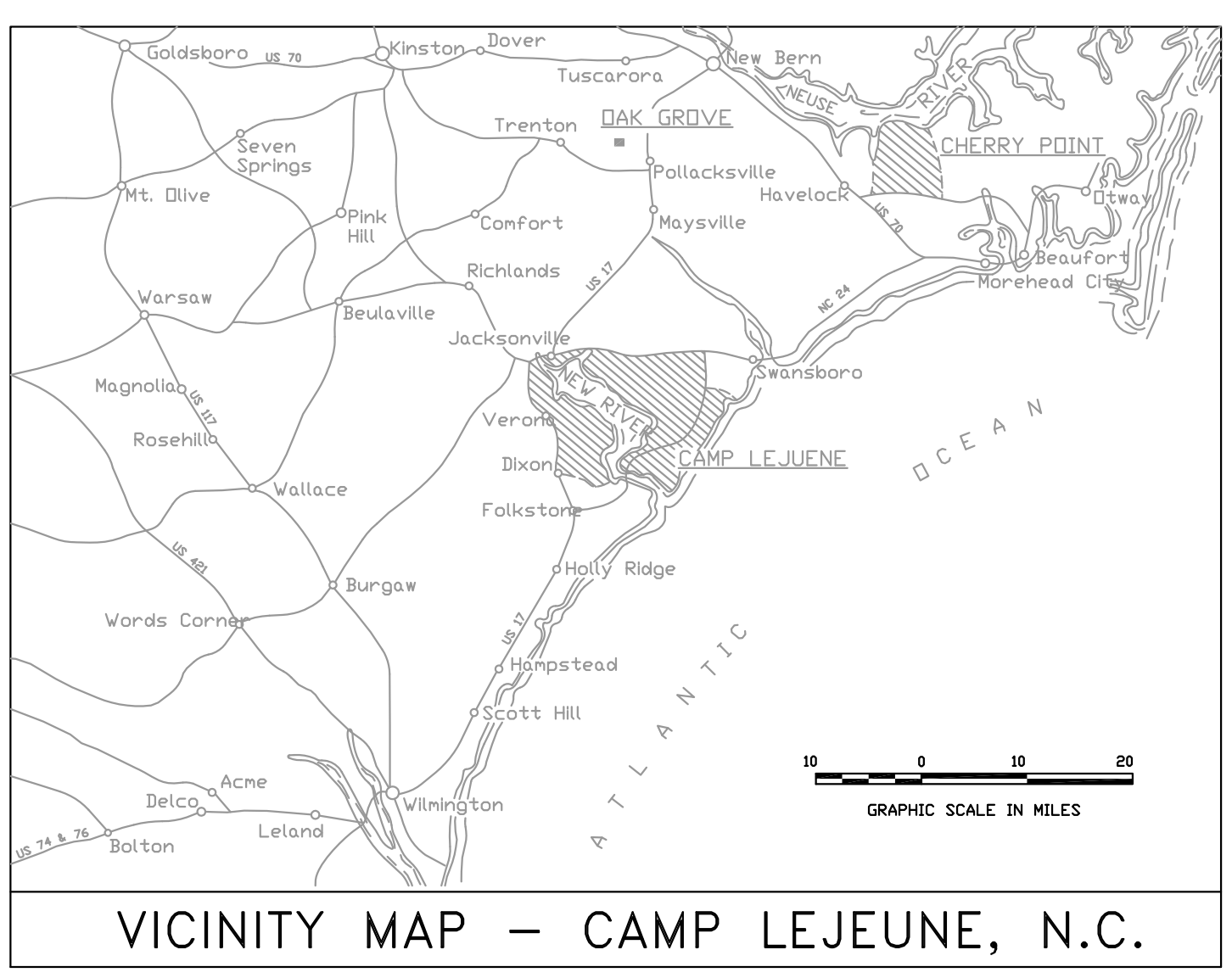


LOCATION MAP – U.S. MARINE CORPS BASE, CAMP LEJEUNE, N.C.  
SCALE: 1" = 6000'



# BLDG 107 PARKING AREA



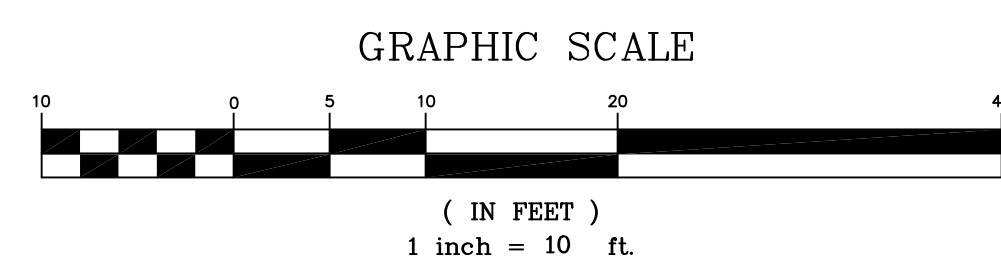
VICINITY MAP – CAMP LEJEUNE, N.C.

DRAWING INDEX		
NAVFAC DWG NO.	SHEET NO.	TITLE
XXXXXXXX	T-1	LOCATION AND VICINITY MAP
XXXXXXXX	C-1	SITE PLAN & DETAILS

<b>T-1</b>	
DEPARTMENT OF THE NAVY - NAVAL FACILITIES ENGINEERING COMMAND <b>MARINE CORPS BASE</b> CAMP LEJEUNE, NORTH CAROLINA	
BLDG 107 PARKING AREA	
LOCATION AND VICINITY MAP	
DESIGN: BRIAN O'CONNOR, PE DR: BRIAN O'CONNOR, PE CHK: DAVID TOWLER, EI SUBMITTED BY: BRIAN O'CONNOR, PE DESIGN: DR. B. MARSHBURN, PE	SIZE: CODE IDENT NO. <b>F 80091</b> 60002855
DATE: 07 APRIL 2009	CONST. CONTR. NO. N40085-09-B-0037
SCALE: AS SHOWN	SPEC: 05-09-0037 SHEET 1 OF 2

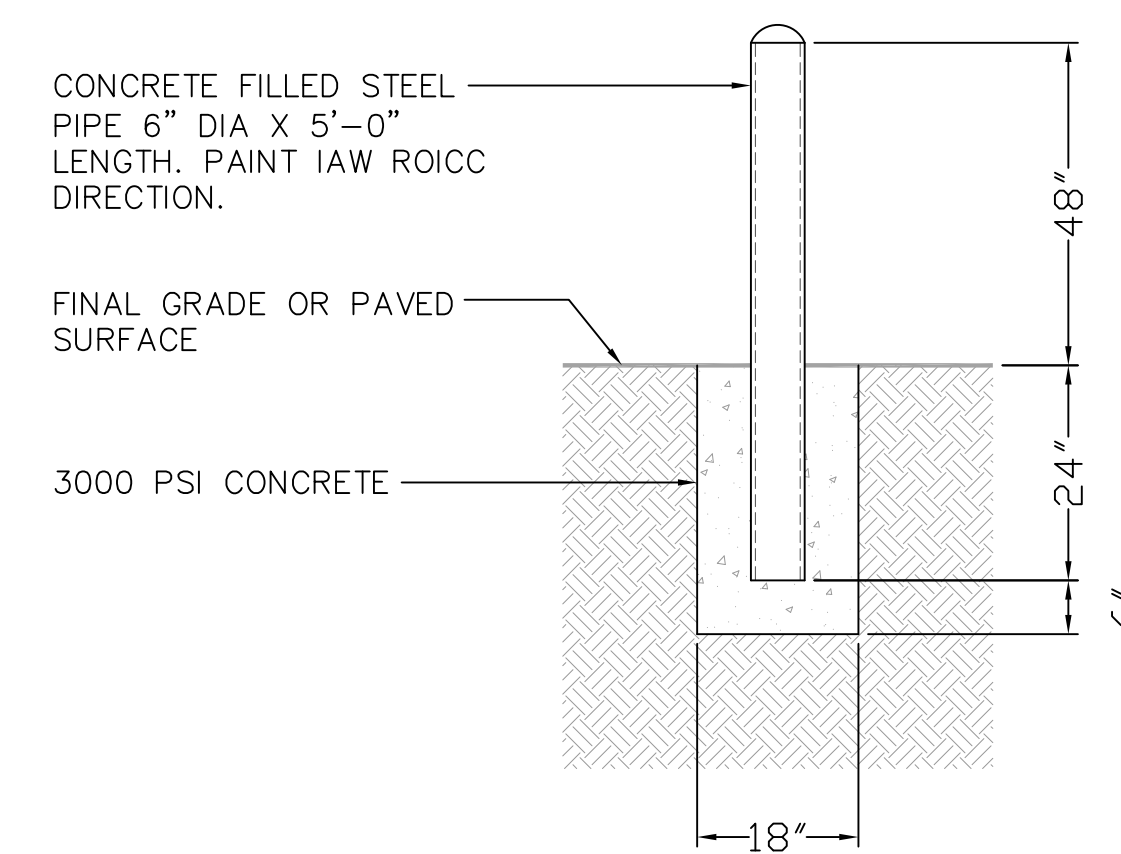
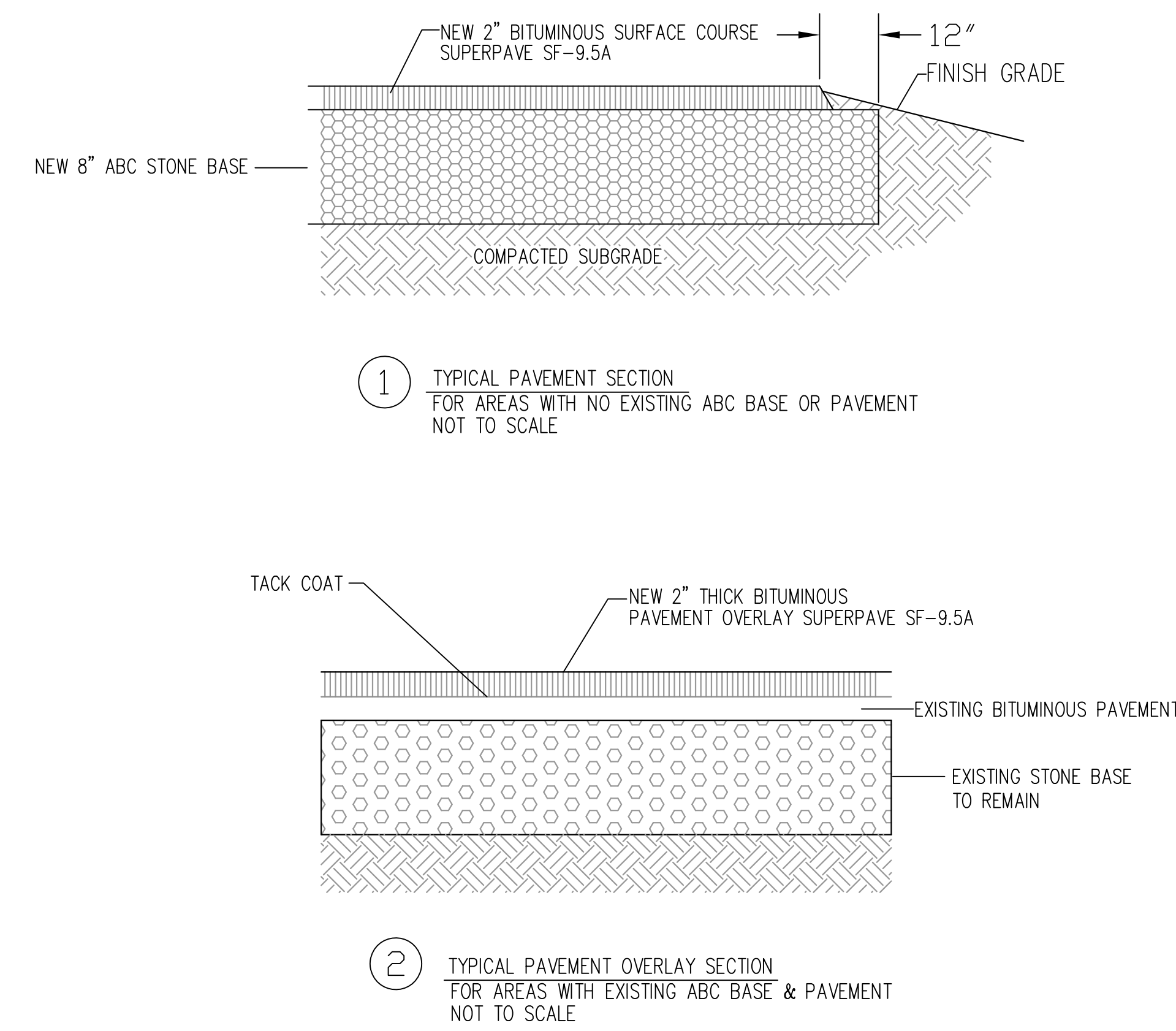


**SITE PLAN**  
BLDG 107 PARKING AREA



**NOTES KEYED TO PLAN:**

- A** PROVIDE 705 SF NEW ASPHALT PARKING AREA AS SHOWN IN ACCORDANCE WITH DETAIL #1: TYPICAL PAVEMENT SECTION.
- B** PROVIDE 1780 SF NEW ASPHALT PARKING AREA AS SHOWN IN ACCORDANCE WITH DETAIL #1: TYPICAL PAVEMENT SECTION.
- C** PROVIDE 1920 SF OF ASPHALT OVERLAY ON EXISTING PARKING AREA AS SHOWN IN ACCORDANCE WITH DETAIL #2: TYPICAL PAVEMENT OVERLAY SECTION.
- D** REMOVE CONCRETE CURB AND GUTTER ALONG C STREET BACK TO NEAREST JOINT BEYOND NEW PARKING AREA ON BOTH SIDES (REMOVE APPROX. 50 LF TOTAL). INSTALL NEW CURB AND GUTTER TO MEET EDGE OF NEW PARKING AREA ON BOTH SIDES (INSTALL APPROX. 12 LF TOTAL).
- E** PROVIDE FOUR (4) NEW FIXED BOLLARDS AS SHOWN TO PROTECT LIGHT POLE. SEE DETAIL THIS SHEET.
- F** PROVIDE 3' WIDE SECTION OF CENTIPEDE SOD AT EACH SIDE OF NEW PARKING AREA. APPROXIMATELY 30 SY OF CENTIPEDE SOD REQUIRED. SEED ALL OTHER DISTURBED AREAS IN ACCORDANCE WITH SEEDING SCHEDULE ON THIS SHEET.



**FIXED BOLLARD DETAIL**  
SCALE: NONE

**GENERAL NOTES:**

1. CONTRACTOR SHALL PROVIDE ANY TRAFFIC CONTROL NECESSARY TO SAFELY CONDUCT CONSTRUCTION OPERATIONS.
2. ALL WORK SHALL BE COORDINATED WITH ROICC.
3. ALL MATERIALS AND PROCEDURES TO COMPLY WITH NCDOT STANDARD SPECIFICATIONS FOR ROADS AND STRUCTURES, JULY 2006 (NCDOT R/S).

LEGEND		
EXISTING		NEW
---	CONTOURS	---
PP ●	UTILITY POLE/LIGHT	NPP ●
—UE—	UNDERGROUND ELEC	—NUE—
—ESD—	SEWER DRAIN PIPE	—SD—
---	SILT FENCE	---
—ES—	STORM SEWER	—SS—
—EW—	WATER	—W—

ABBREVIATIONS	
AC	ASPHALTIC CONCRETE (ASPHALT)
ABC	AGGREGATE BASE COURSE
CD	CHECK DAM
UE	UNDERGROUND ELECTRIC
EW	EXISTING WATER LINE
NW	NEW WATER LINE
COM	COMMUNICATION LINE
TYP.	TYPICAL
PP	POWER POLE
CP	CONTROL POINT
T	TELEPHONE
FO	FIBER OPTIC
MH	MAN HOLE
MW	MON. WELL
LP	LIGHT POLE
FM	FORCE MAIN
T	TREE

ELEVATIONS	
(95.52')	(EXIST)
96.2'	PROPOSED

**SEEDING SCHEDULE**

VEGETATIVE SEEDING	
AFTER COMPLETION OF GRADING ACTIVITIES AND THE CONSTRUCTION OF SWALES, ALL EXPOSED AREAS SHALL BE SEED TO THE FOLLOWING SPECIFICATIONS:	
SEED BED (JANUARY THROUGH DECEMBER)	
LIME	1-1/2 TON PER ACRE
FERTILIZER	1/2-TON PER ACRE
TEMPORARY SEED (JANUARY THROUGH DECEMBER)	
TO BE PROVIDED IN ADDITION TO OTHER SEEDS LISTED	
RYE GRASS	50 LBS PER ACRE
SWITCH GRASS	9 LBS PER ACRE
APRIL THROUGH NOVEMBER:	
ATLANTIC COASTAL PANIC GRASS	8 LBS PER ACRE
EASTERN GAMMA GRASS	8 LBS PER ACRE
BROWNTOP MILLET	5 LBS PER ACRE
DECEMBER THROUGH MARCH:	
LADINO CLOVER	3 LBS PER ACRE
PARTRIDGE PEA	5 LBS PER ACRE
PROCEDURE	
STRAW MULCH SHALL BE APPLIED AT A RATE WHICH WILL INSURE APPROXIMATELY 75% COVERAGE OF THE SEED AREA. THE STRAW AND SOWN SEED WILL BE LIGHTLY DISCED INTO THE BED TO GIVE IT FURTHER RESISTANCE TO BLOWING AND WASHING.	
THE CONTRACTOR SHALL GUARANTEE A FULL STAND OF GRASS OVER THE ENTIRE DISTURBED AREA. IF NECESSARY THE CONTRACTOR WILL WET DOWN THE AREAS TO ASSIST IN SEED GERMINATION OR AID IN GROWTH IN TIMES OF EXCESSIVELY DRY WEATHER. A STAND OF GRASS WILL BE CONSIDERED ACCEPTABLE WHEN THE ENTIRE STAND OF GRASS IS AT LEAST FOUR INCHES HIGH AND HAS ACHIEVED AT LEAST 95% COVERAGE OF DISTURBED AREAS. RESEEDING WILL BE REQUIRED AS NECESSARY BY THE CONTRACTOR TO OBTAIN THE SPECIFIED STAND OF GRASS.	

<b>C-1</b>	
DEPARTMENT OF THE NAVY NAVAL FACILITIES ENGINEERING COMMAND <b>MARINE CORPS BASE</b> CAMP LEJEUNE, NORTH CAROLINA	
BLDG 107 PARKING AREA	
SITE PLAN & DETAILS	
DES: BRIAN O'CONNOR, PE	SIZE: CODE IDENT NO: 60002856
DR: BRIAN O'CONNOR, PE	DATE: 07 APRIL 2009
CHK: DAVID TOWLER, EI	SCALE: AS SHOWN
SUBMITTED BY: BRIAN O'CONNOR, PE	SPEC: 05-09-0037
DESIGN: DR. B. MARSHBURN, PE	SHEET 2 OF 2